

# Burlington<sup>®</sup>

## Quadrant 800 - C22

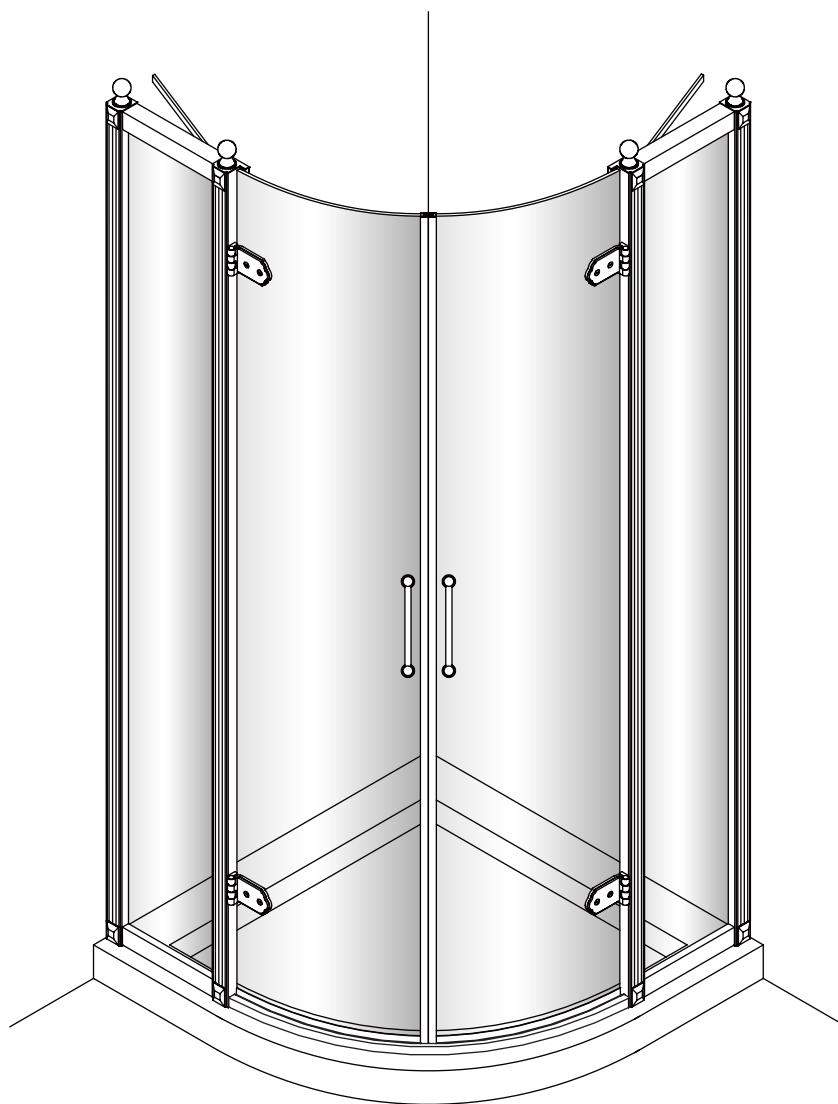
## Quadrant 900 - C23

### Before Installation:

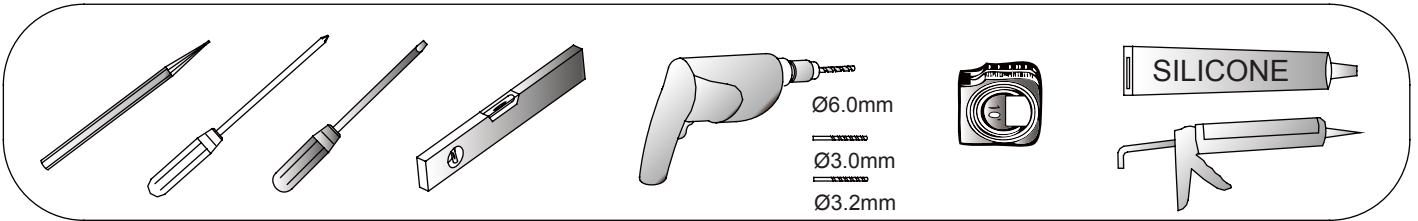
- Check the contents of the pack carefully before installation.
- The tray **MUST** be installed level and fully sealed to the tiles.
- Handle with care. Impacts can damage both the glass and the frame.
- Check for any hidden pipes or cables before drilling holes in the wall.
- The wall fixings supplied may not be suitable for your installation. You may need to source alternatives depending on the construction of the wall you are fixing to.
- Follow each step in turn.

### Care and Cleaning:

- Do not use solvents or abrasive material or chemicals to clean the enclosure.
- Only clean using soapy water and a soft cloth, rinse thoroughly afterwards.

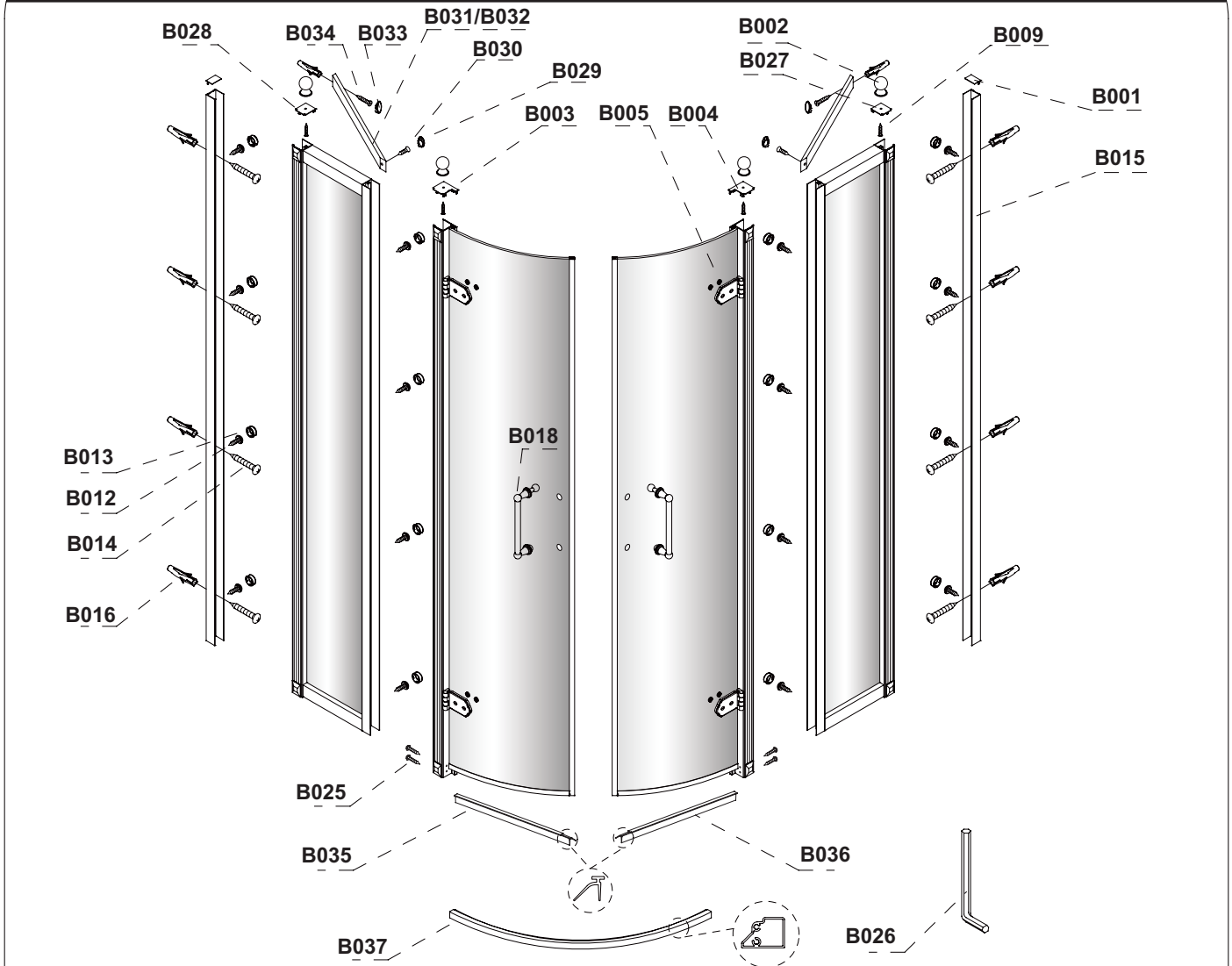




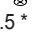

















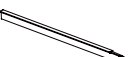



**Tools required:**



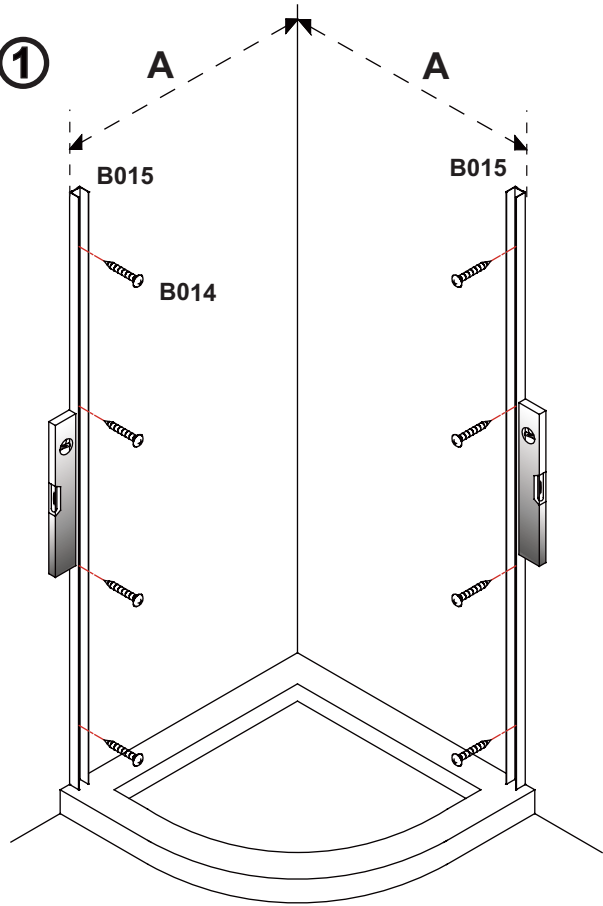
**Parts supplied:**

**Quadrant Door**

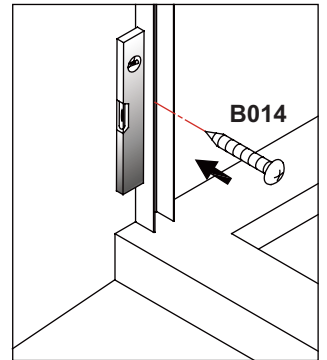
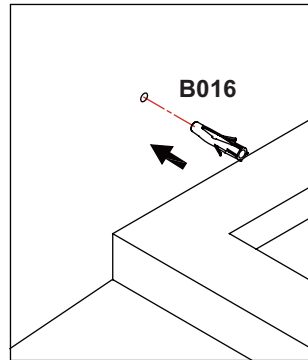
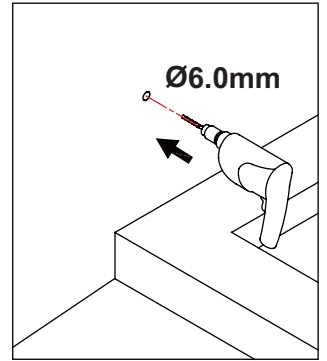
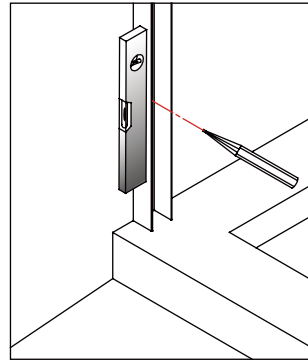


<b>B015</b>  2x	<b>B001</b>  2x	<b>B009</b>  4x ST3.5* 16mm	<b>B027</b>  1x	<b>B028</b>  1x	<b>B002</b>  4x	<b>B003</b>  1x
<b>B004</b>  1x	<b>B005</b>  8x	<b>B029</b>  2x	<b>B030</b>  2x ST4* 25mm	<b>B031/B032</b>  2x - B031 is for 800 Quadrant - B032 is for 900 Quadrant	<b>B033</b>  2x	<b>B034</b>  2x ST4* 35mm
<b>B012</b>  16x ST3.5* 10mm	<b>B013</b>  16x	<b>B014</b>  8x ST4* 50mm	<b>B016</b>  10x	<b>B018</b>  2x	<b>B025</b>  4x ST4* 30mm	
<b>B035</b>  1x	<b>B036</b>  1x	<b>B037</b>  1x	<b>B026</b>  1x 4mm			

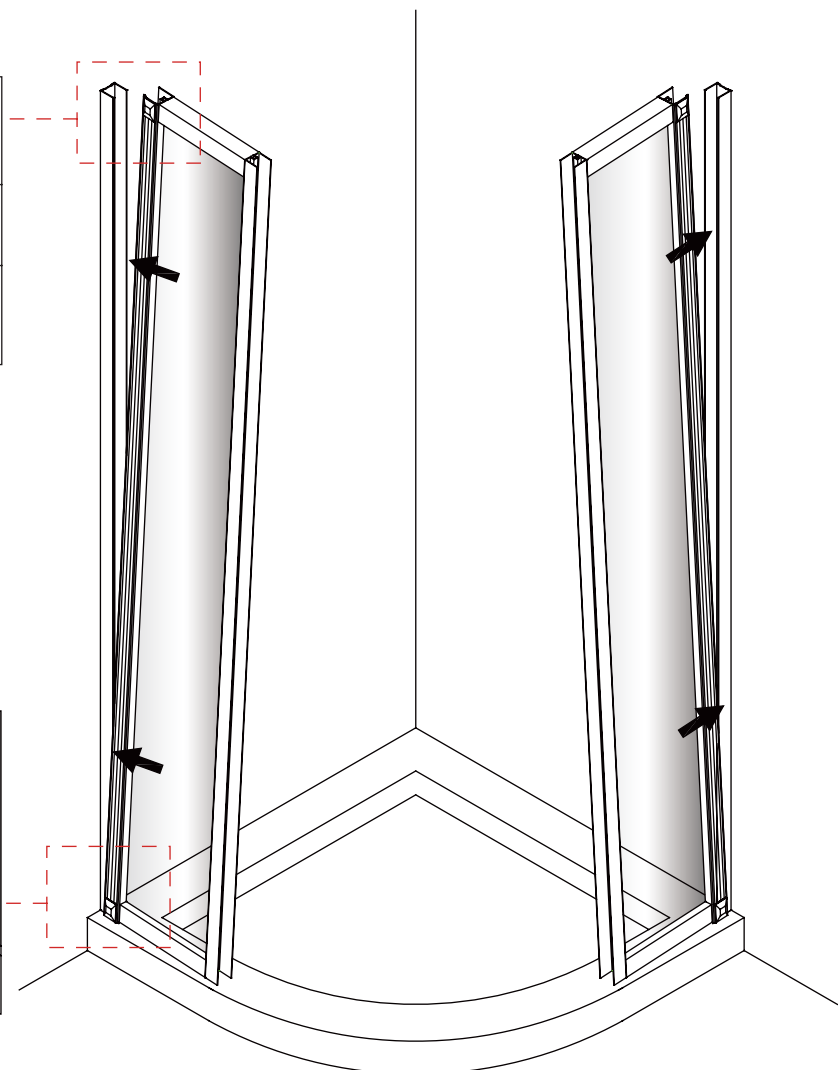
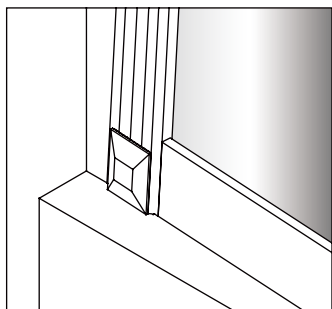
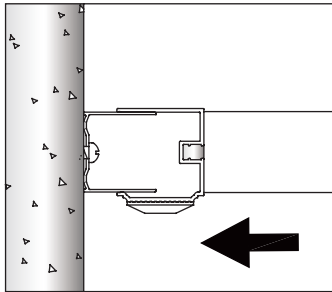
①



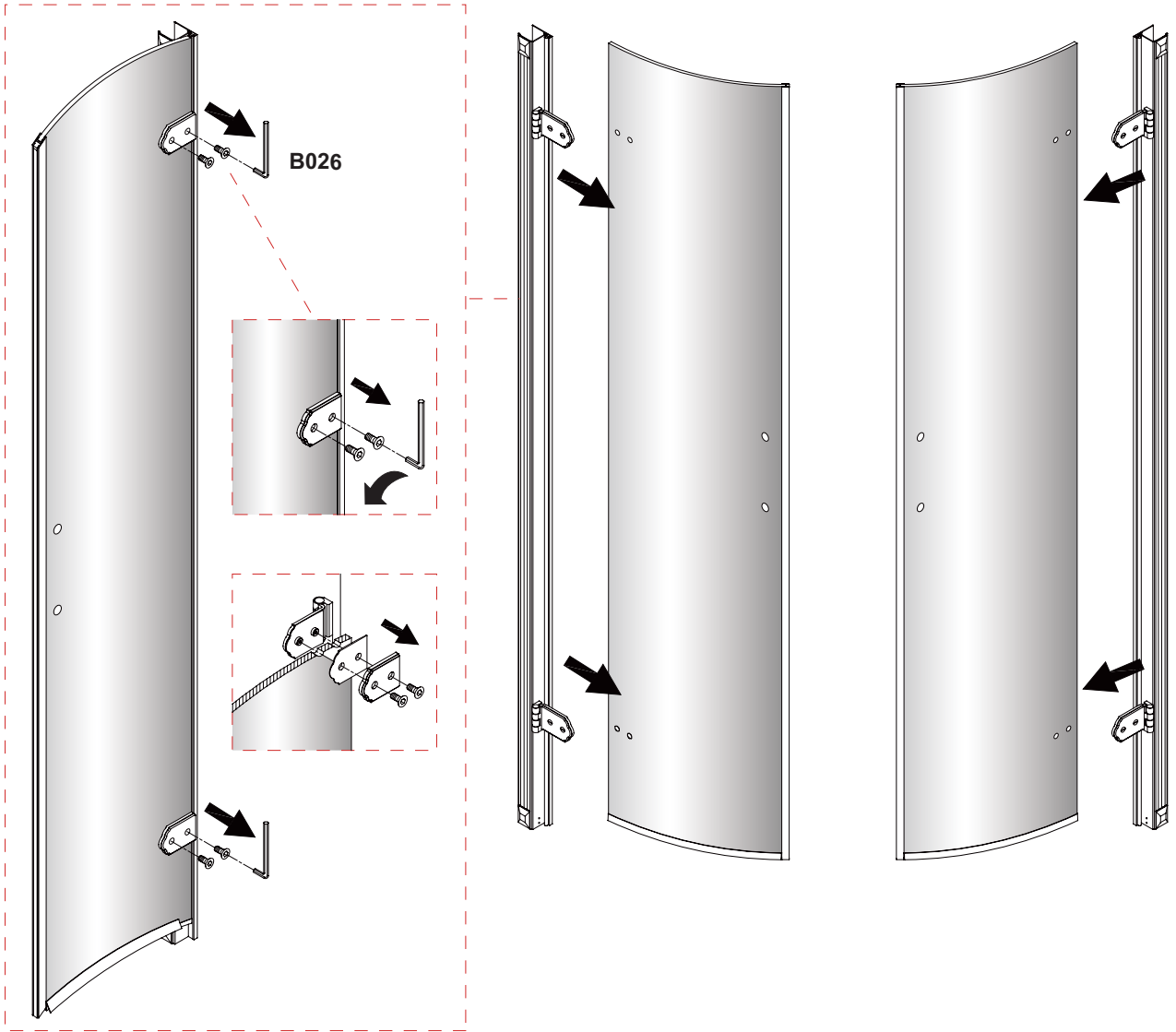
Item	A (mm)
800 x 800 Quadrant door	765 ~ 785
900 x 900 Quadrant door	865 ~ 885



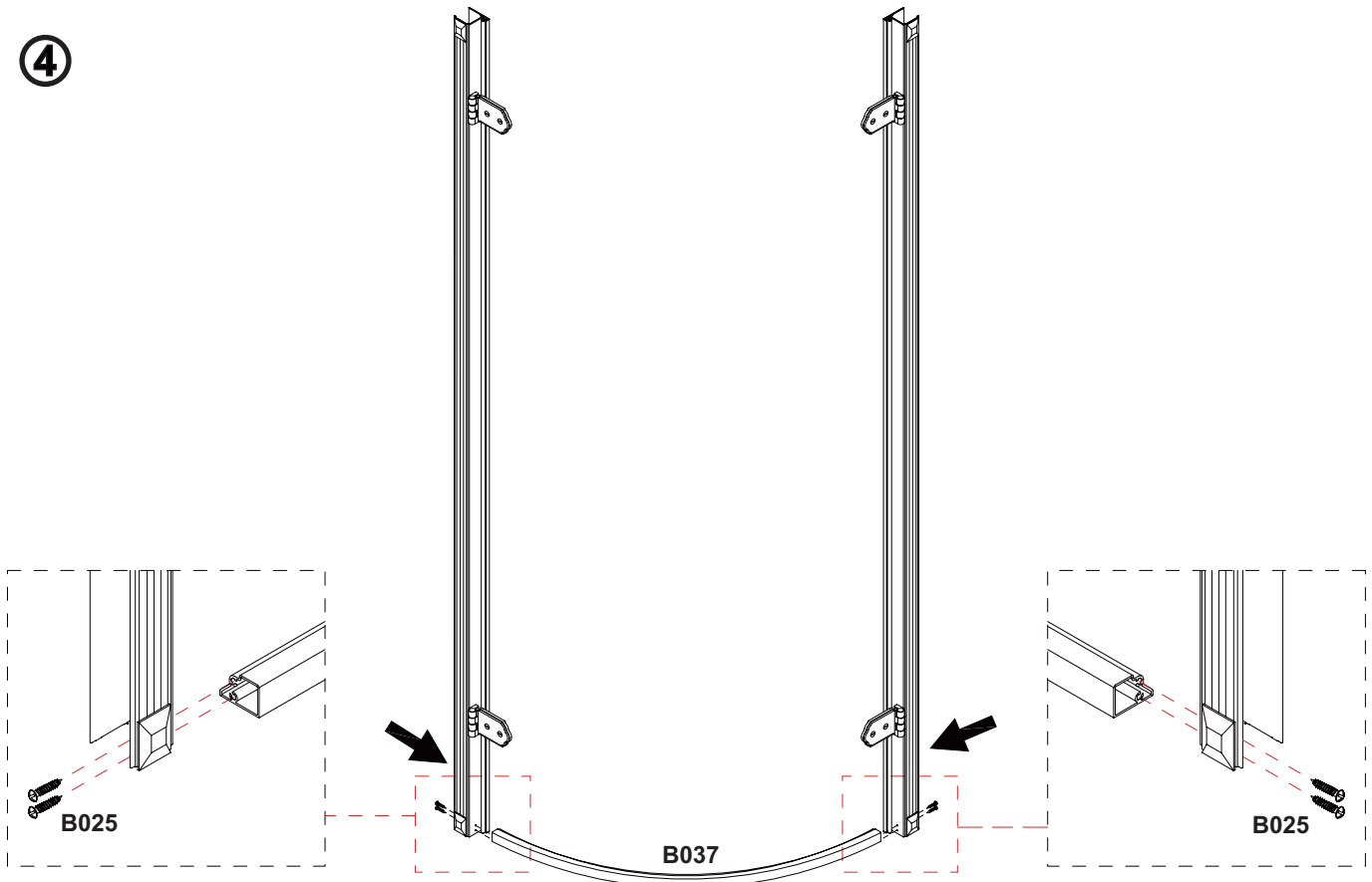
②



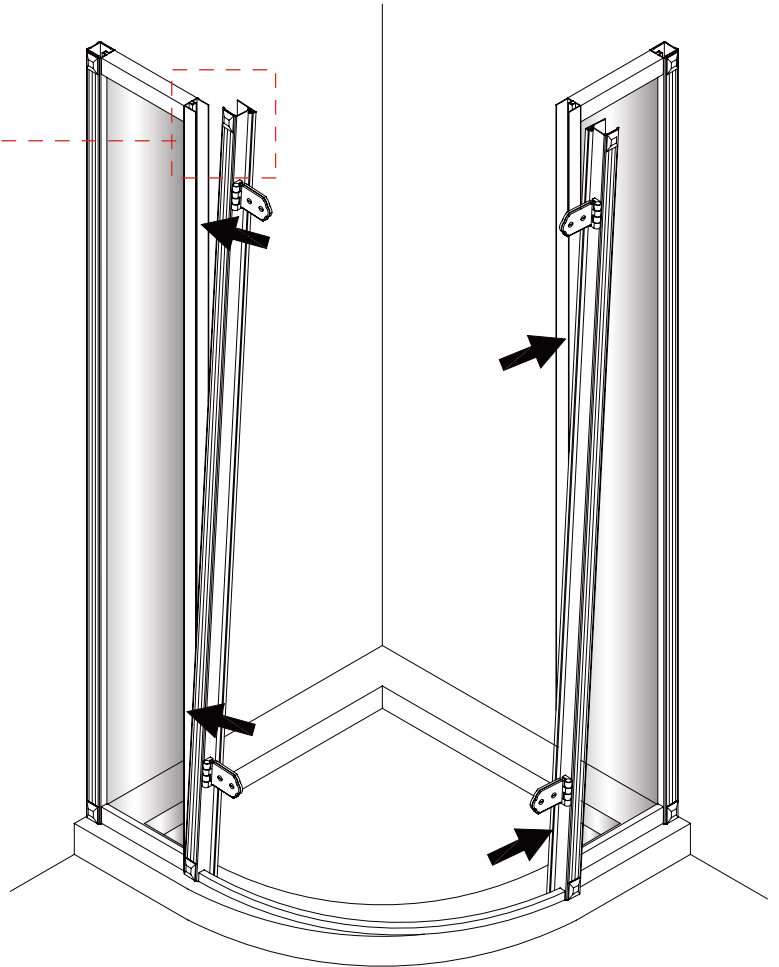
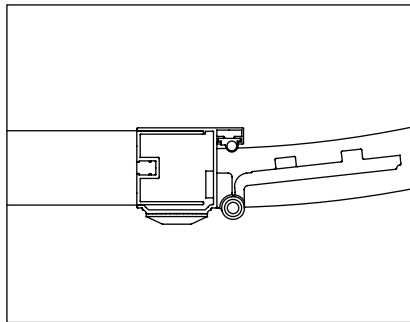
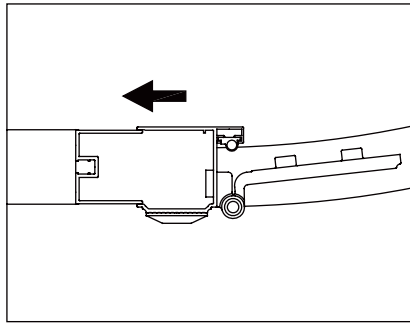
3



4



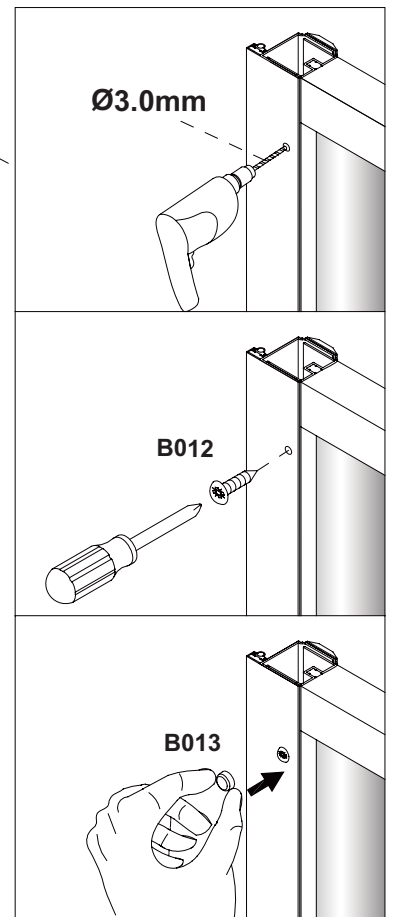
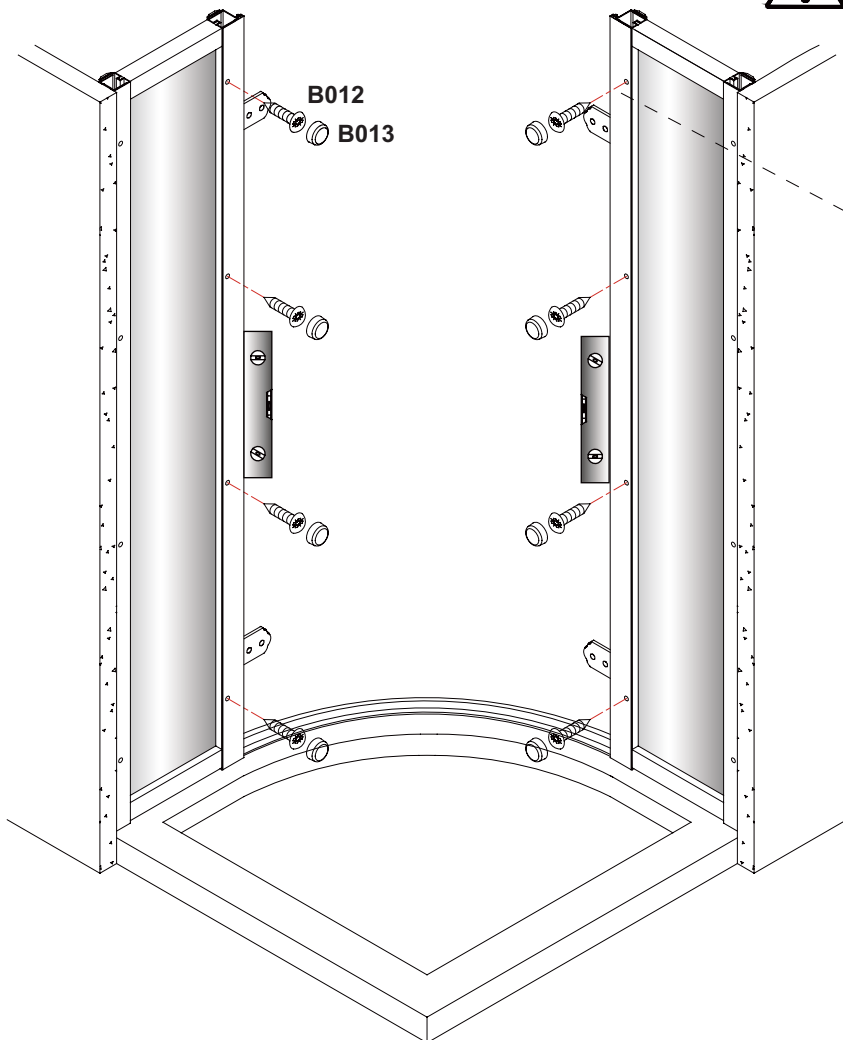
5



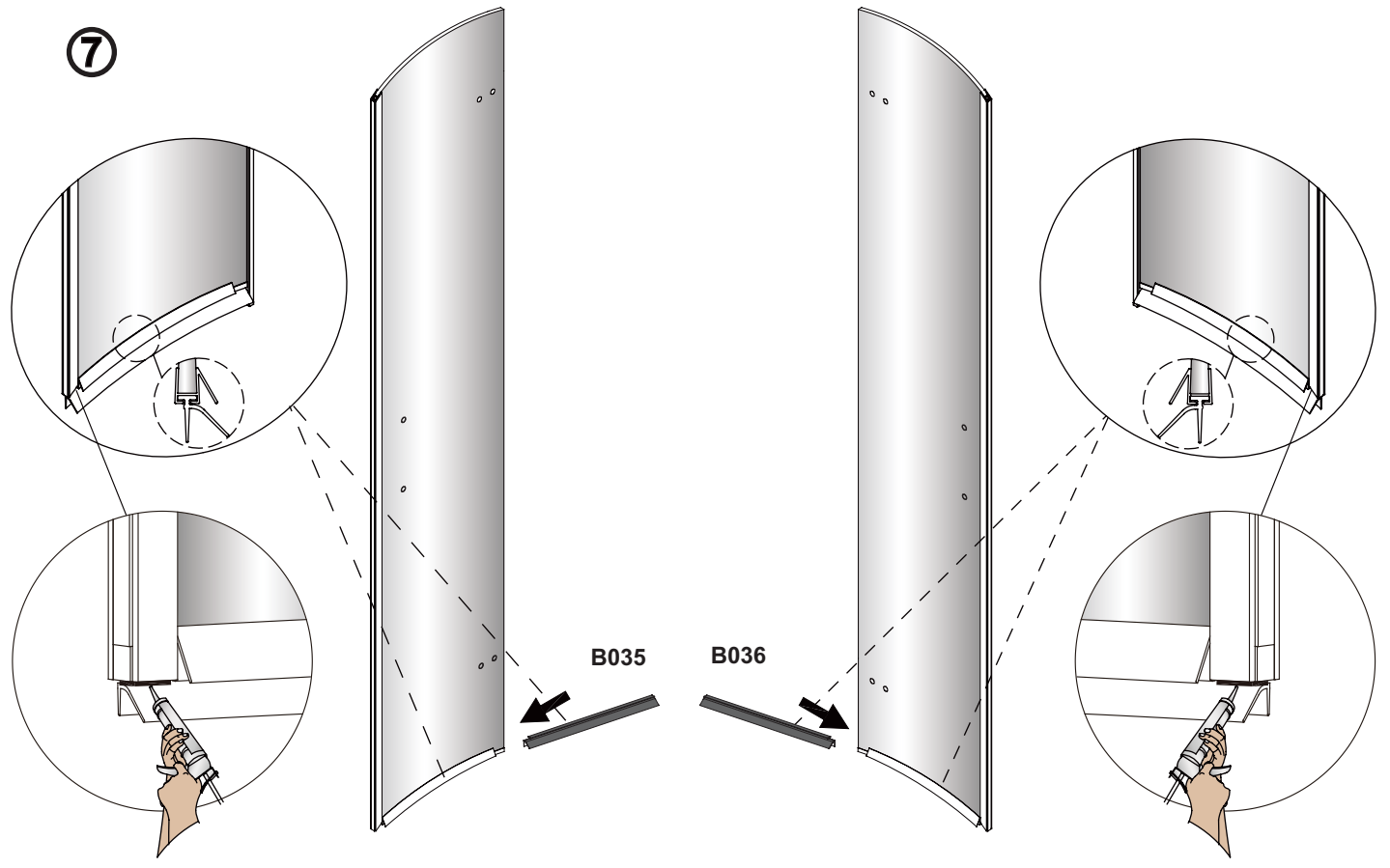
6



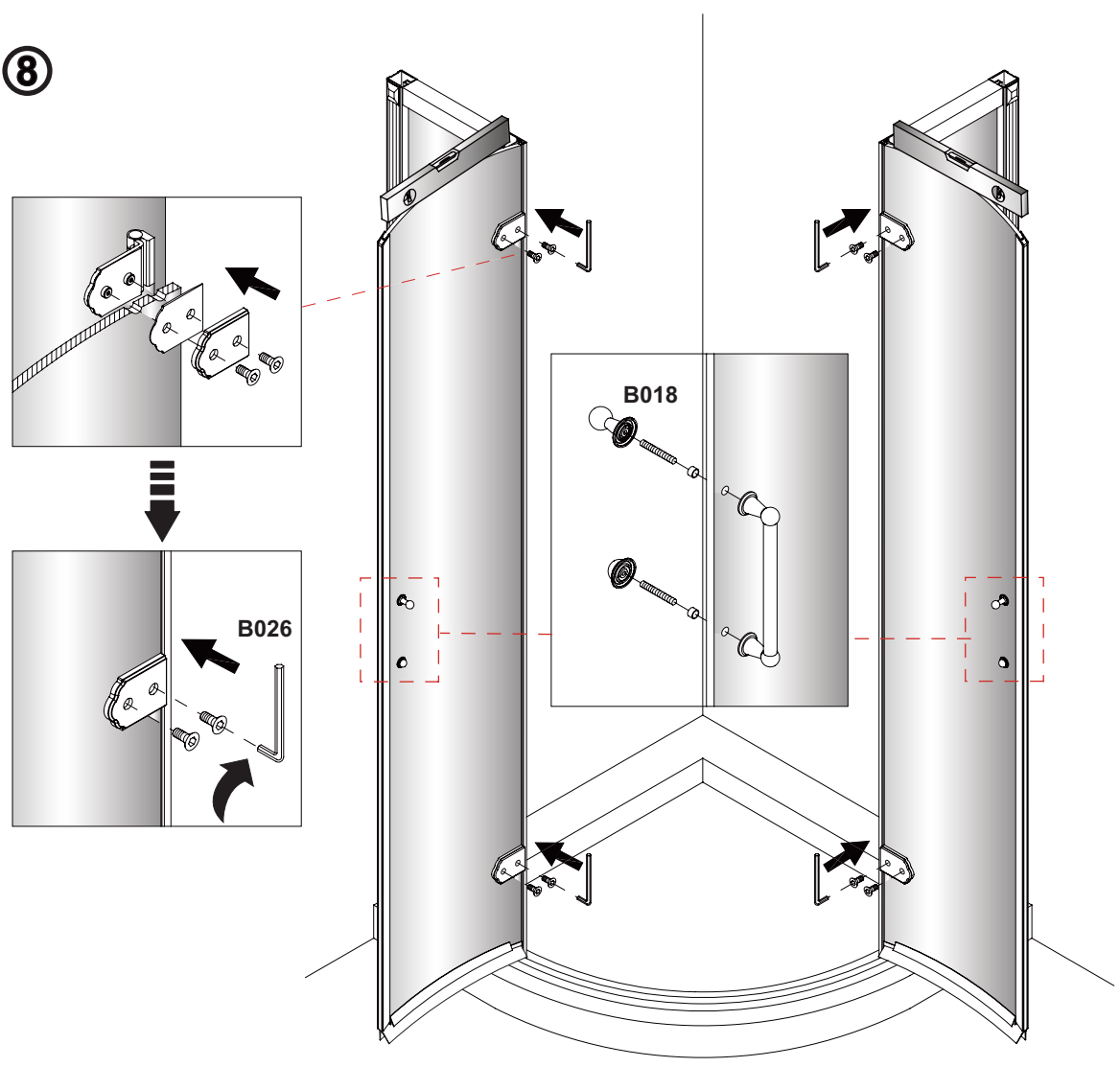
Fully push the door frame into the inline panels. Then check for vertical. From inside drill 4 holes through the door frame (in the marked positions). Fix using screws (B012), attach on the caps (B013). Any adjustment should be made from the wall profiles.



7

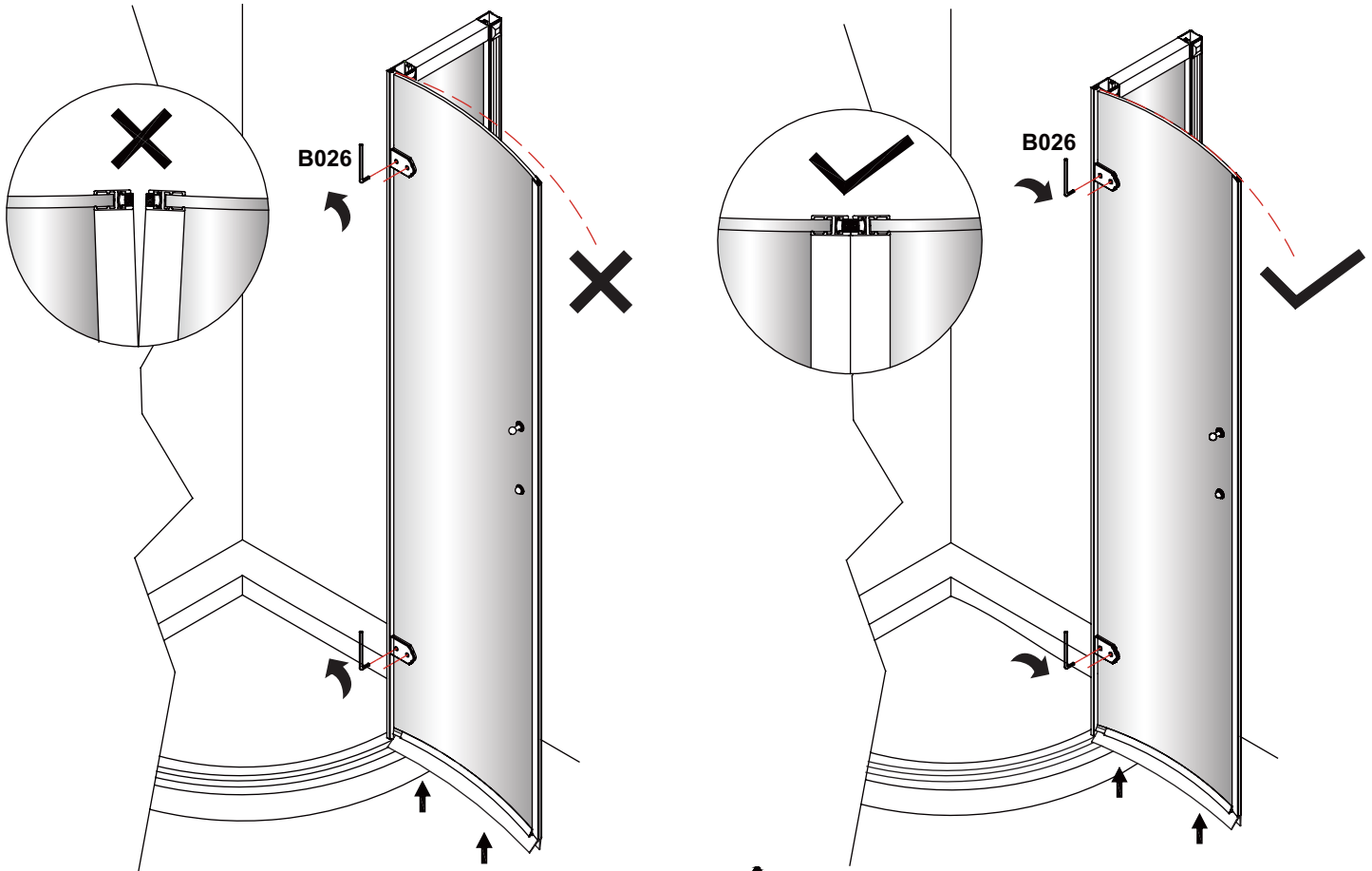


8





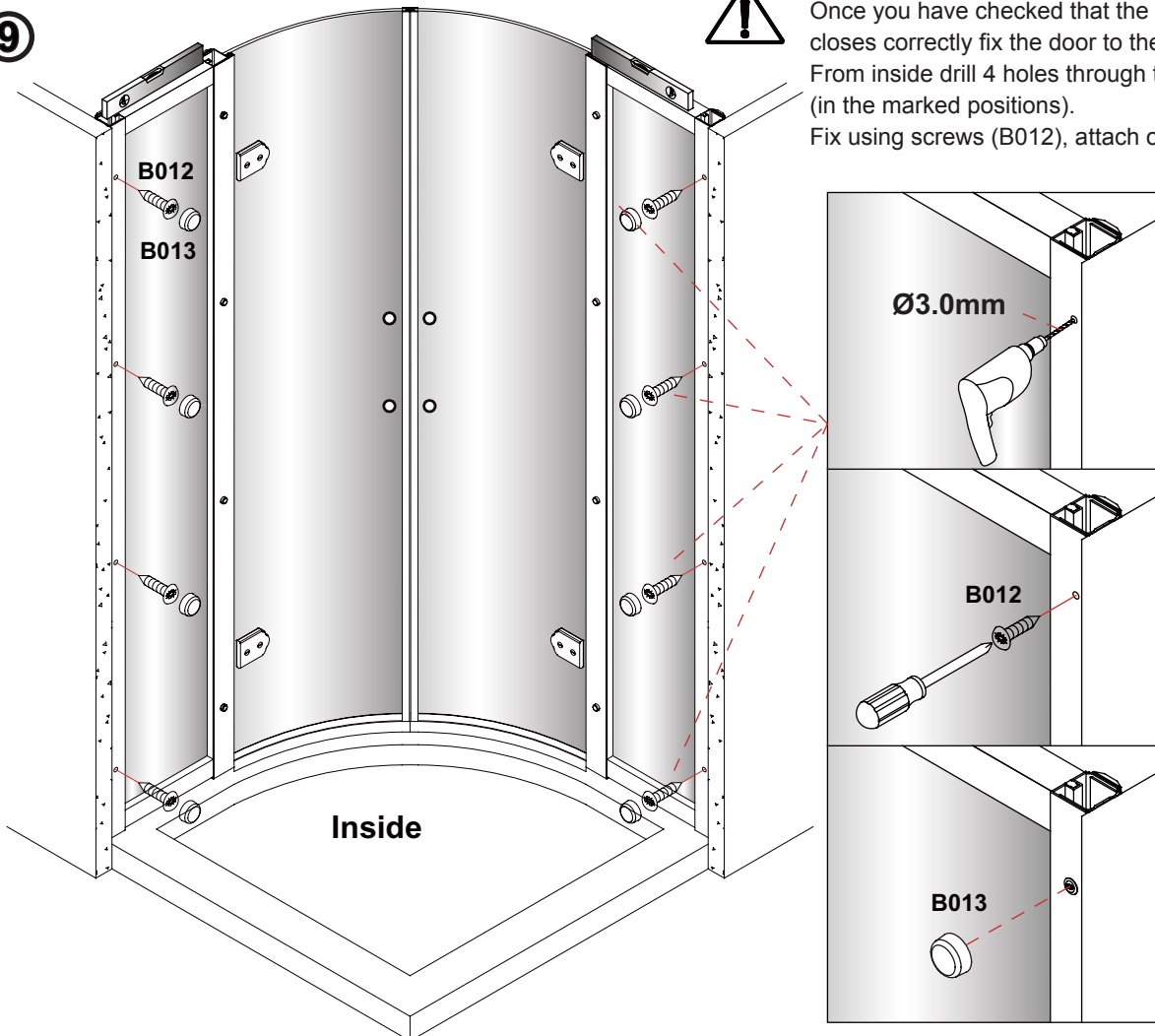
Only if adjustment is required.



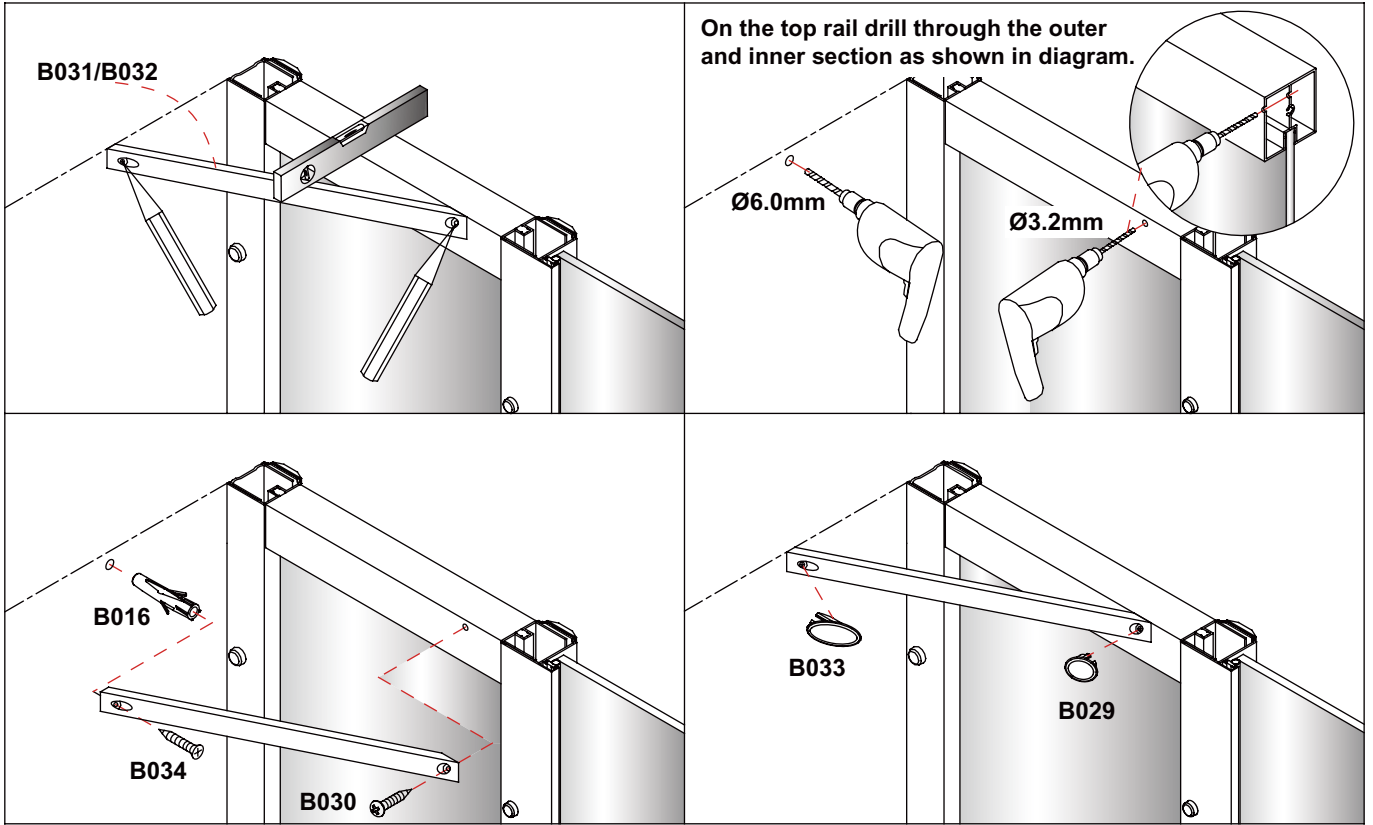
9



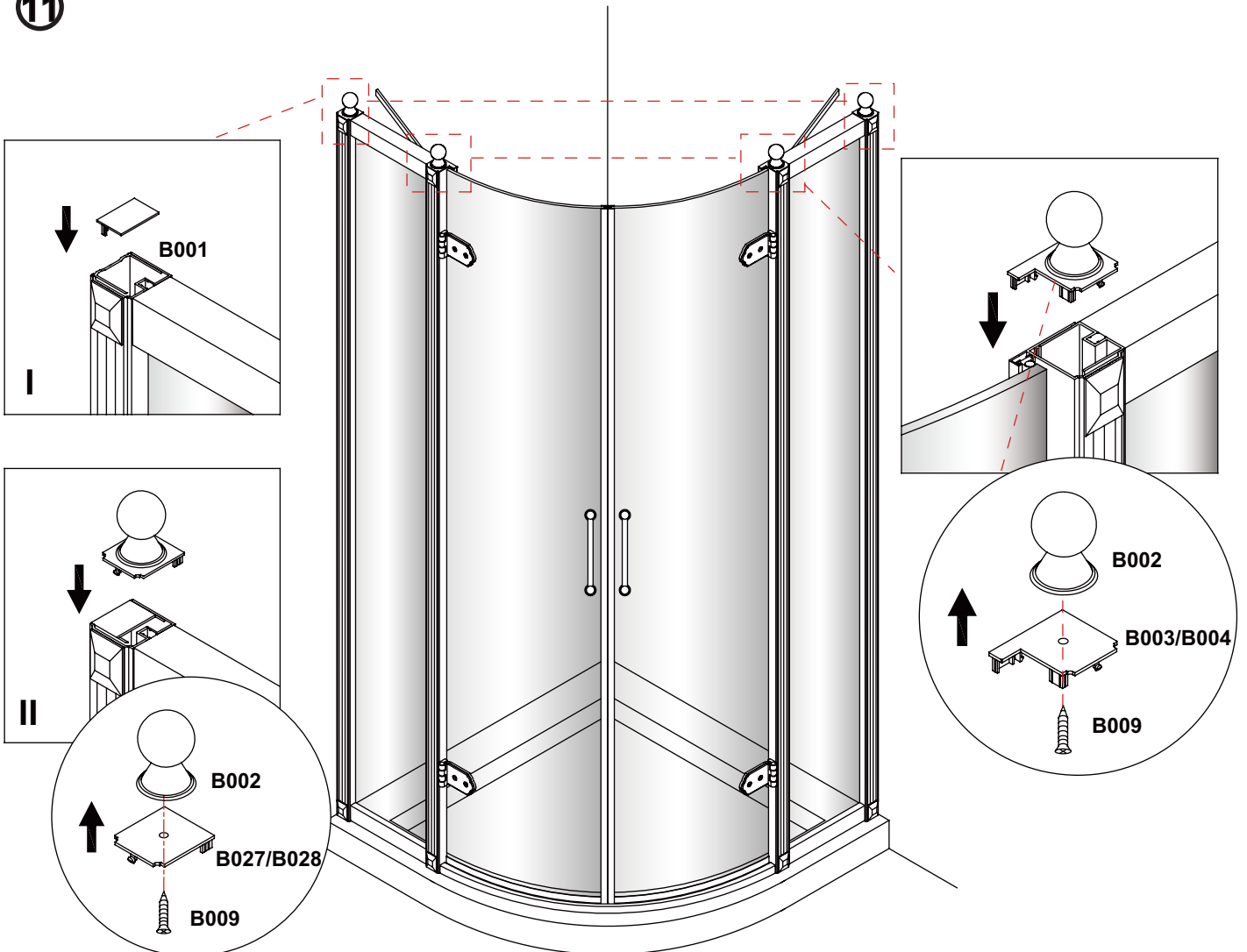
Once you have checked that the door opens and closes correctly fix the door to the wall channels. From inside drill 4 holes through the door frame (in the marked positions). Fix using screws (B012), attach on the caps (B013).



10

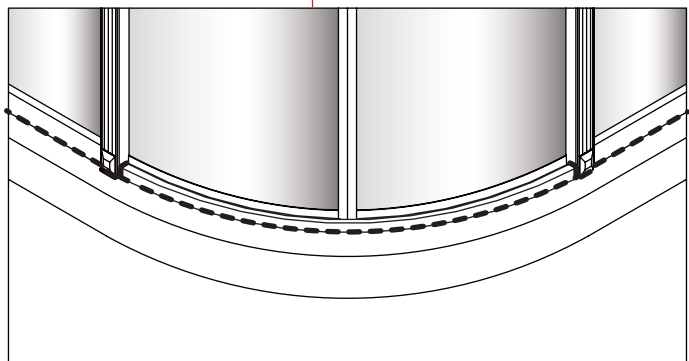
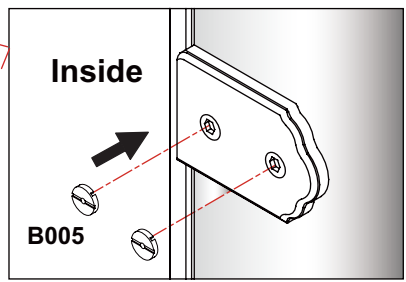
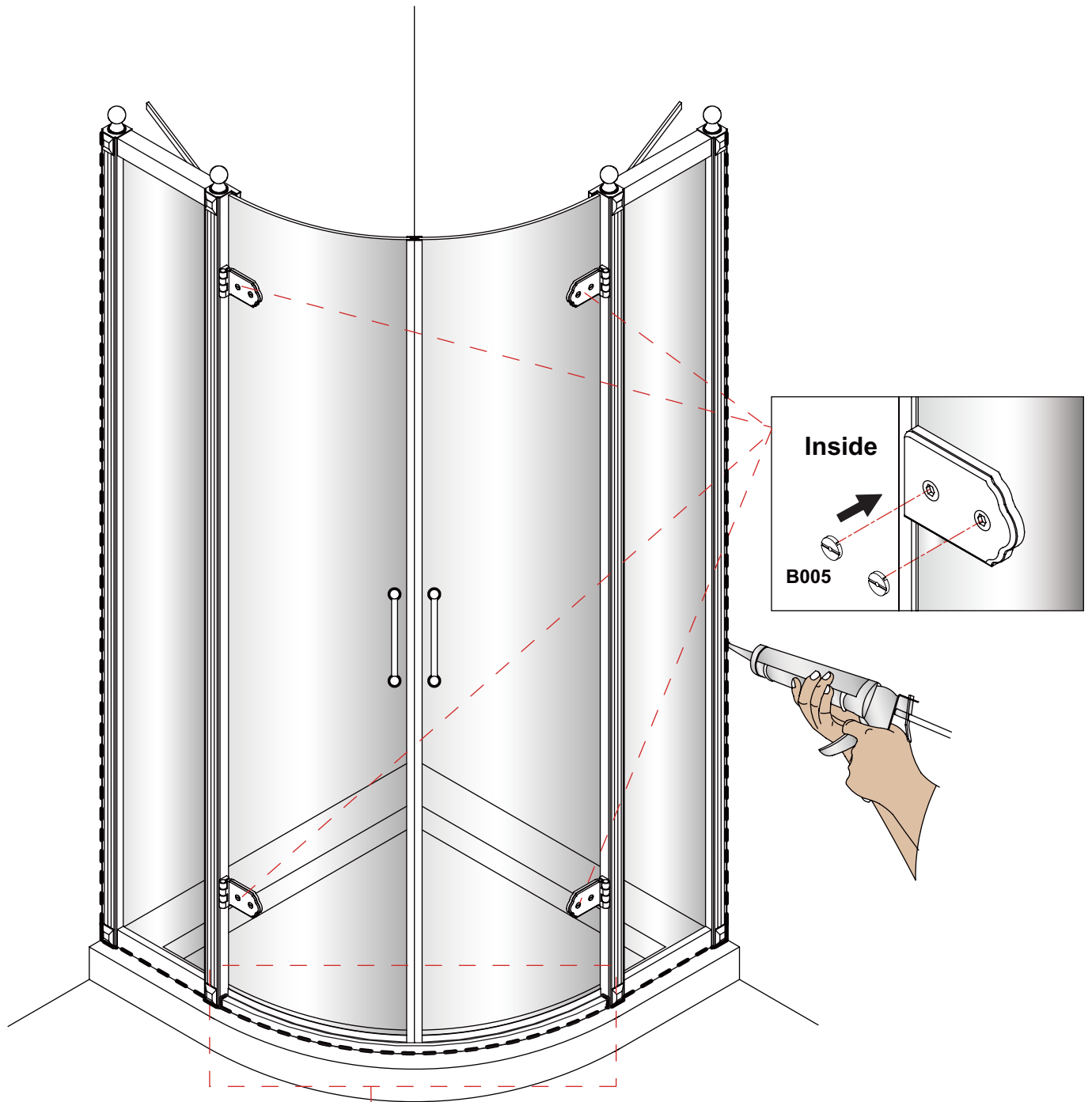


11





12

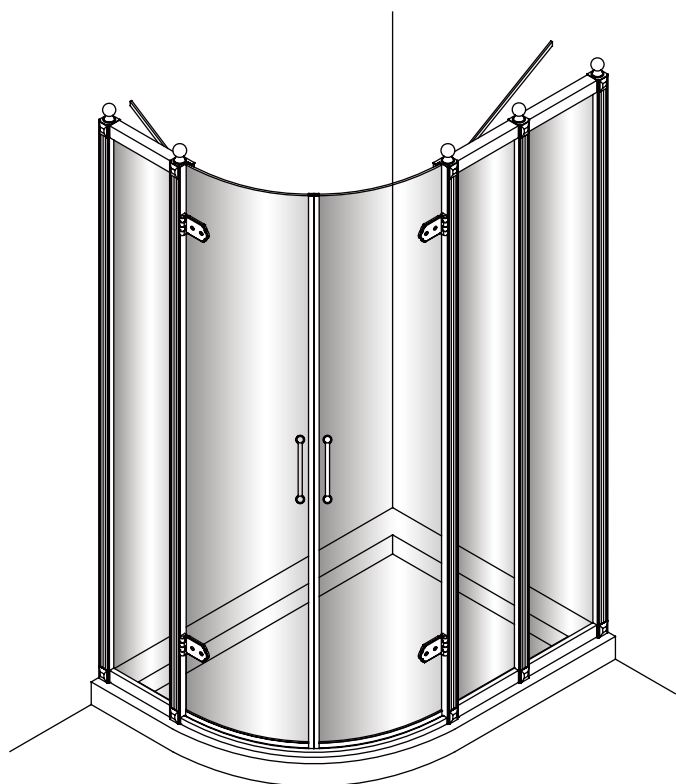


### Before Installation:

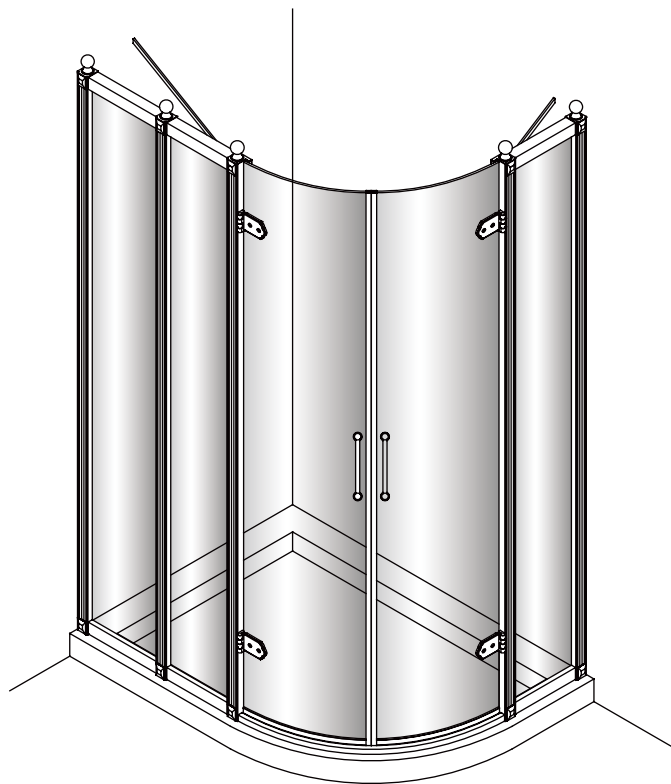
- PLEASE USE THESE INSTRUCTIONS FOR QUADRANT DOOR AND INLINE PANEL INSTALLATION.
- Check the contents of the pack carefully before installation.
- The tray MUST be installed level and fully sealed to the tiles.
- Handle with care. Impacts can damage both the glass and the frame.
- Check for any hidden pipes or cables before drilling holes in the wall.
- The wall fixings supplied may not be suitable for your installation. You may need to source alternatives depending on the construction of the wall you are fixing to.
- Follow each step in turn.

### Care and Cleaning:

- Do not use solvents or abrasive material or chemicals to clean the enclosure.
- Only clean using soapy water and a soft cloth, rinse thoroughly afterwards.

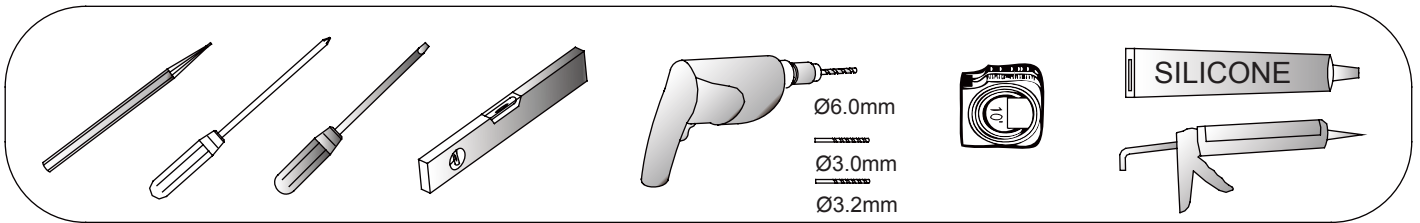


Left hand offset



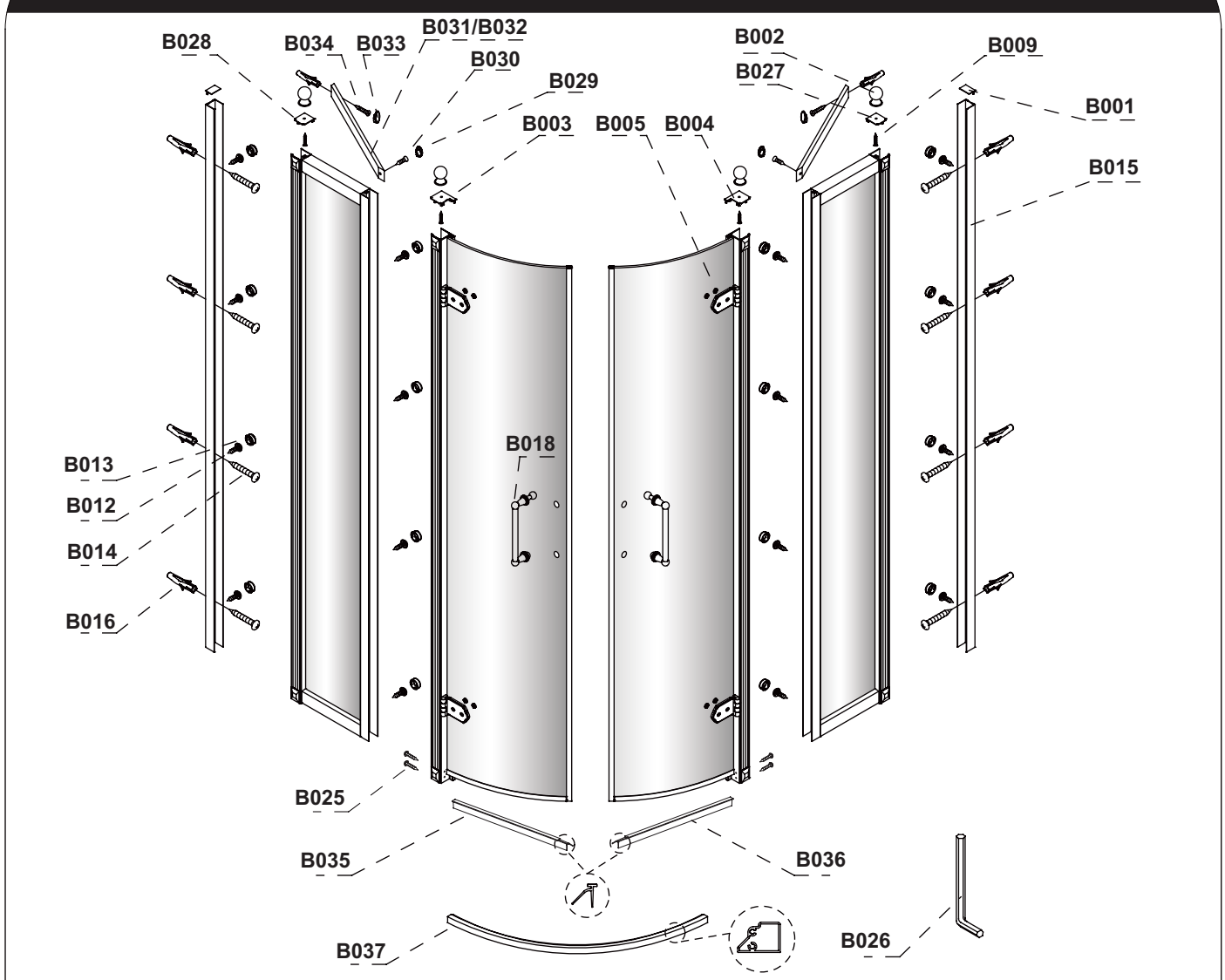
Right hand offset



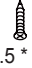



















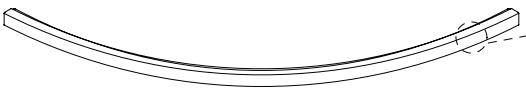

**Tools required:**



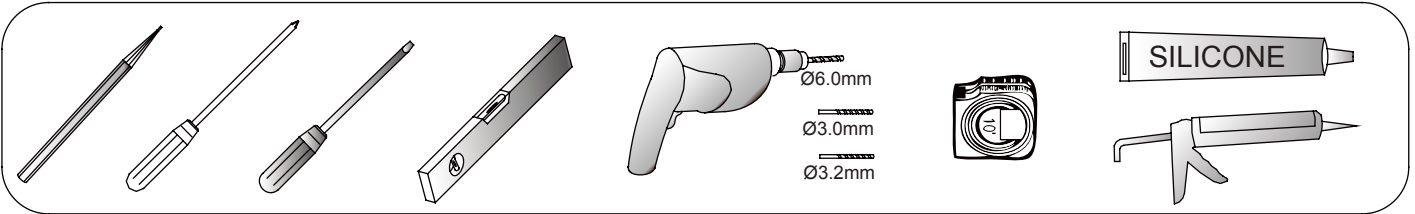
**Parts supplied:**

**Quadrant Door - C22/C23**



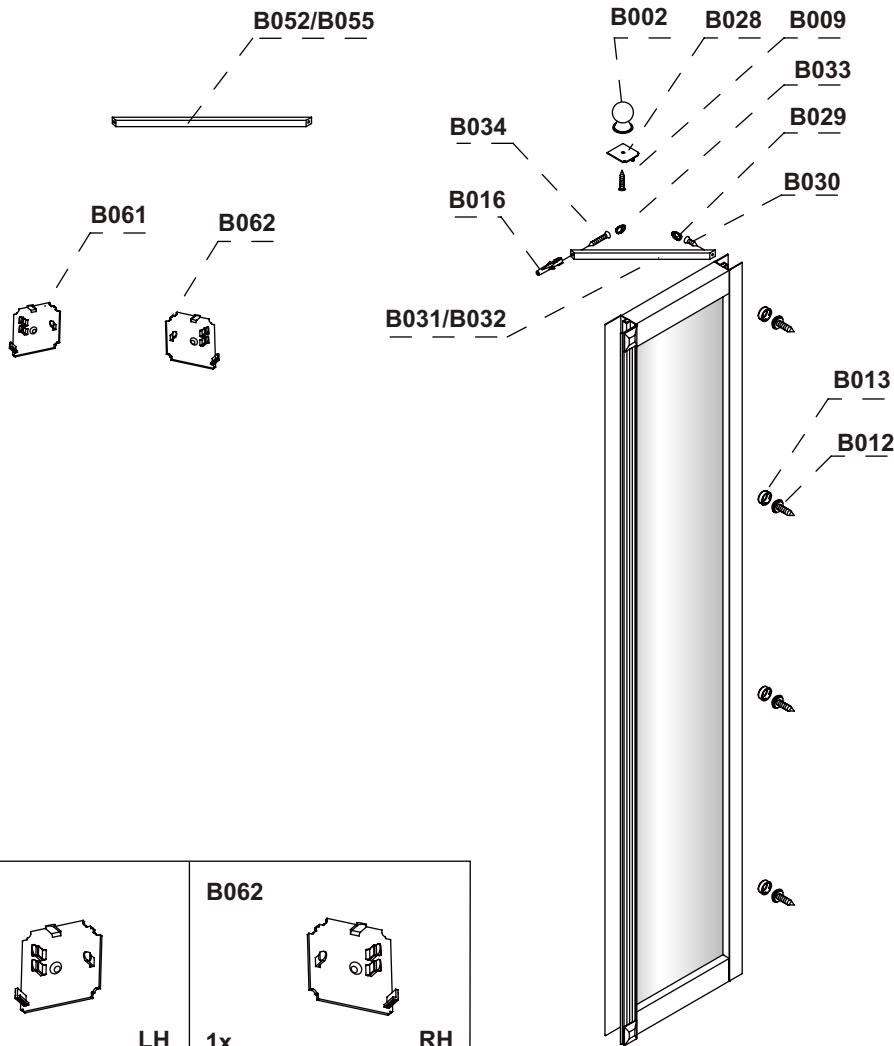
<b>B015</b>  2x	<b>B001</b>  2x	<b>B009</b>  4x ST3.5* 16mm	<b>B027</b>  1x	<b>B028</b>  1x	<b>B002</b>  4x	<b>B003</b>  1x
<b>B004</b>  1x	<b>B005</b>  8x	<b>B029</b>  2x	<b>B030</b>  2x ST4* 25mm	<b>B031/B032</b>  2x - B031 is for 800 Quadrant - B032 is for 900 Quadrant	<b>B033</b>  2x	
<b>B034</b>  2x ST4* 35mm	<b>B012</b>  16x ST3.5* 10mm	<b>B013</b>  16x	<b>B014</b>  8x ST4* 50mm	<b>B016</b>  10x	<b>B018</b>  2x	<b>B025</b>  4x ST4* 30mm
<b>B035</b>  1x	<b>B036</b>  1x	<b>B037</b>  1x	 <b>B026</b> 1x 4mm			

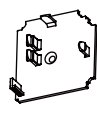
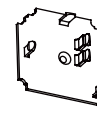











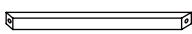

**Tools required:**



**Parts supplied:**

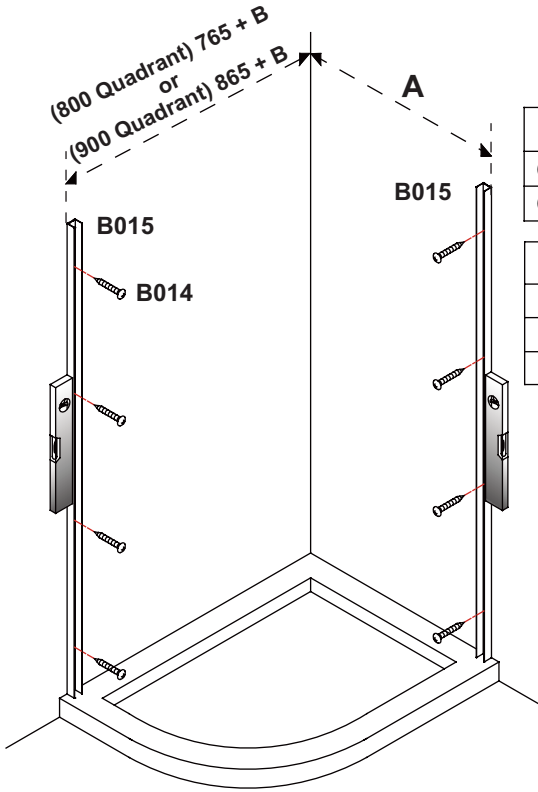
**Inline Panel Box - C15/C16/C17**



<p><b>B061</b></p>  <p>1x LH</p>	<p><b>B062</b></p>  <p>1x RH</p>			
<p><b>B002</b></p>  <p>1x</p>	<p><b>B027</b></p>  <p>1x</p>	<p><b>B028</b></p>  <p>1x</p>	<p><b>B009</b></p>  <p>1x</p> <p>ST3.5*16mm</p>	<p><b>B034</b></p>  <p>1x</p> <p>ST4*35mm</p>
<p><b>B033</b></p>  <p>1x</p>	<p><b>B030</b></p>  <p>1x</p> <p>ST4*25mm</p>	<p><b>B029</b></p>  <p>1x</p>	<p><b>B016</b></p>  <p>1x</p>	<p><b>B012</b></p>  <p>4x</p> <p>ST3.5*10mm</p>
<p><b>B013</b></p>  <p>4x</p>	<p><b>B031/B032</b></p>  <p>1x</p> <p>- B031 is for 200 Inline panel - B032 is for 300, 400 Inline panel</p>		<p><b>B052/B055</b></p>  <p>1x</p> <p>- B052 is for 200 Inline panel - B055 is for 300, 400 Inline panel</p>	

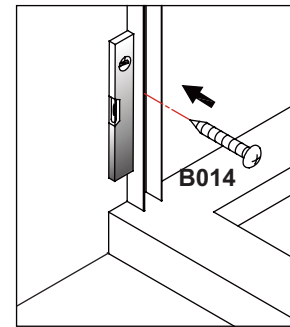
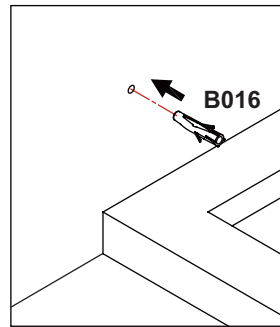
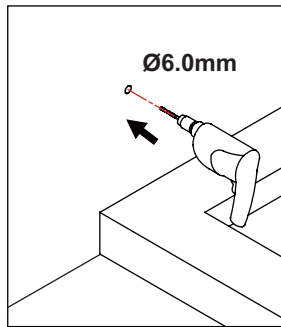
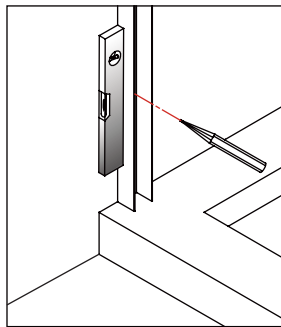
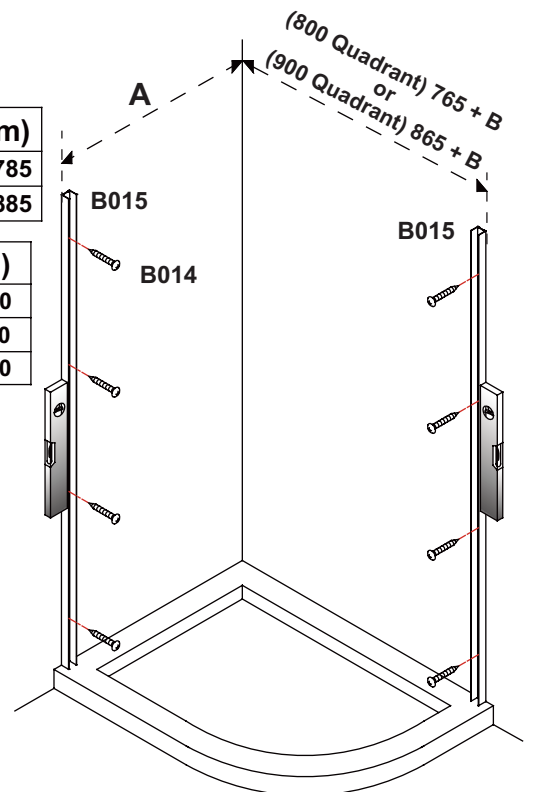
# ① Left hand offset

# Right hand offset

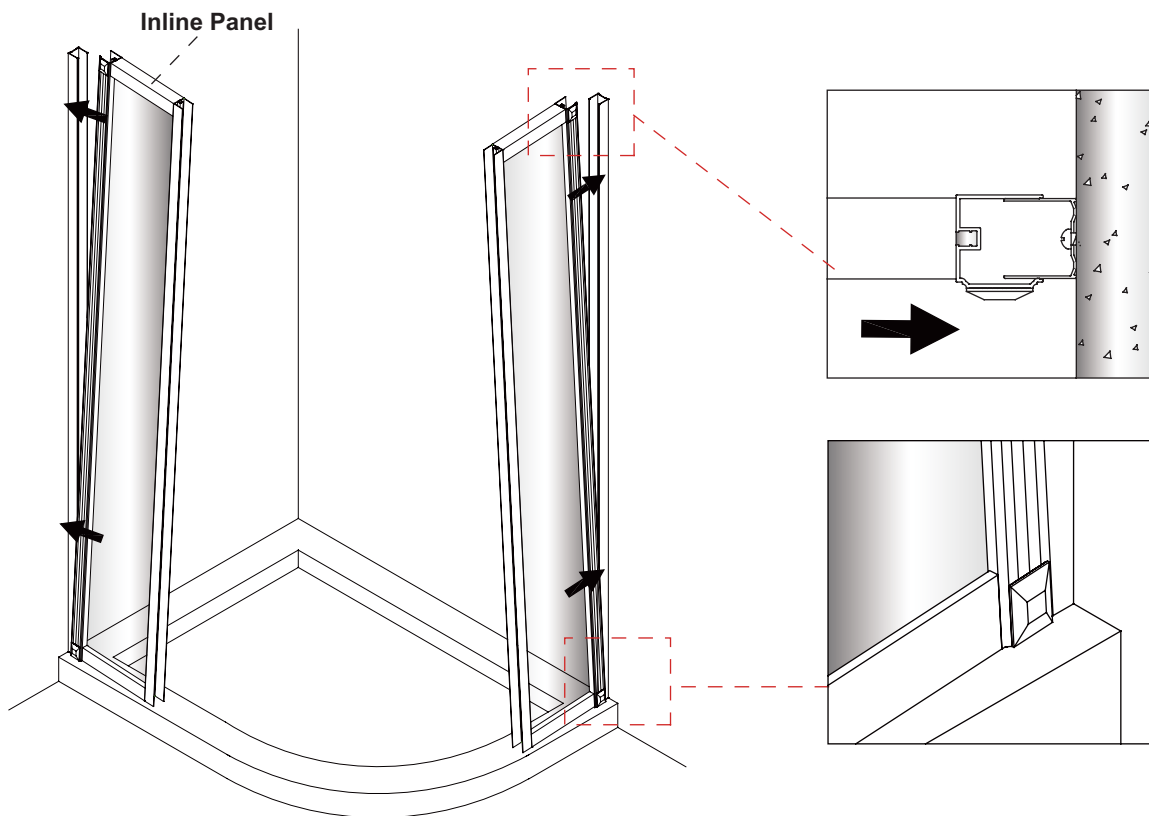


Item		A (mm)
C22	800 Quadrant door	765 ~ 785
C23	900 Quadrant door	865 ~ 885

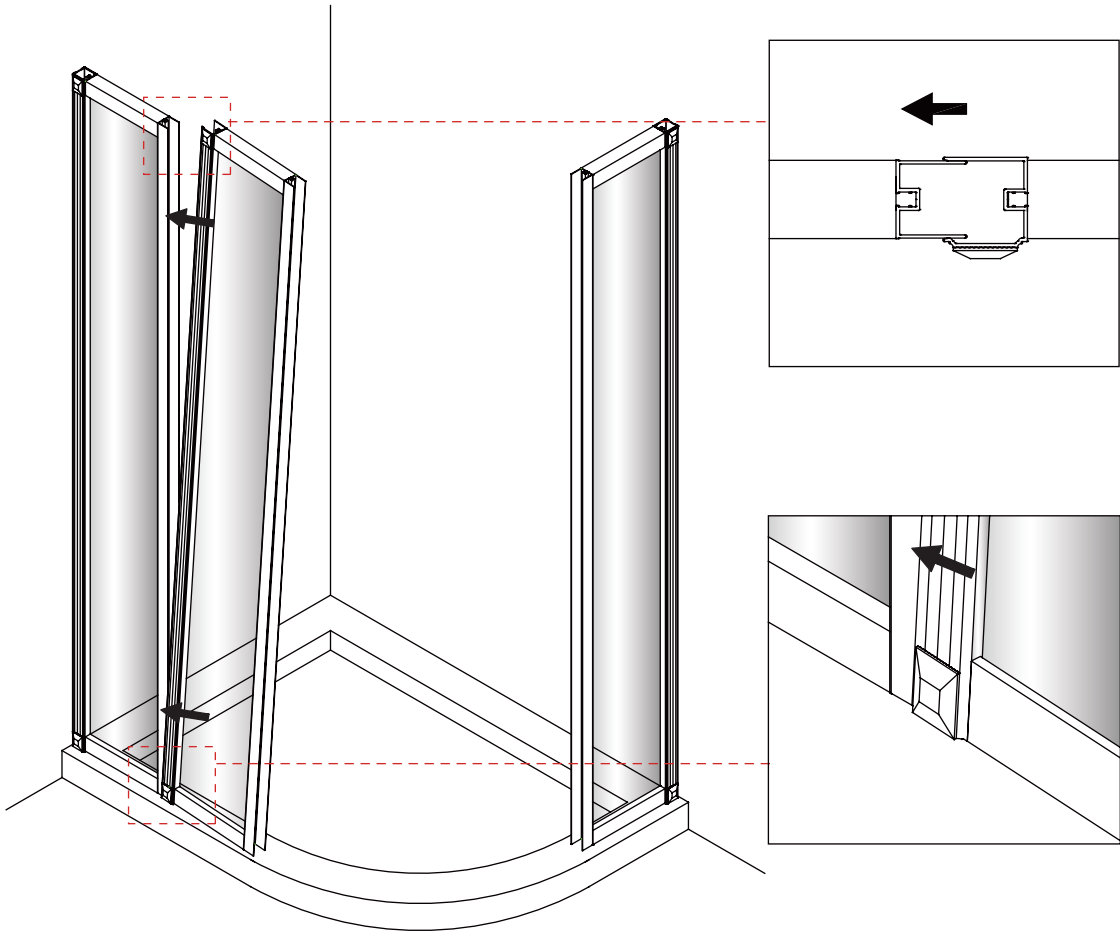
Item		B (mm)
C15	200 Inline Panel	200 ~ 220
C16	300 Inline Panel	300 ~ 320
C17	400 Inline Panel	400 ~ 420



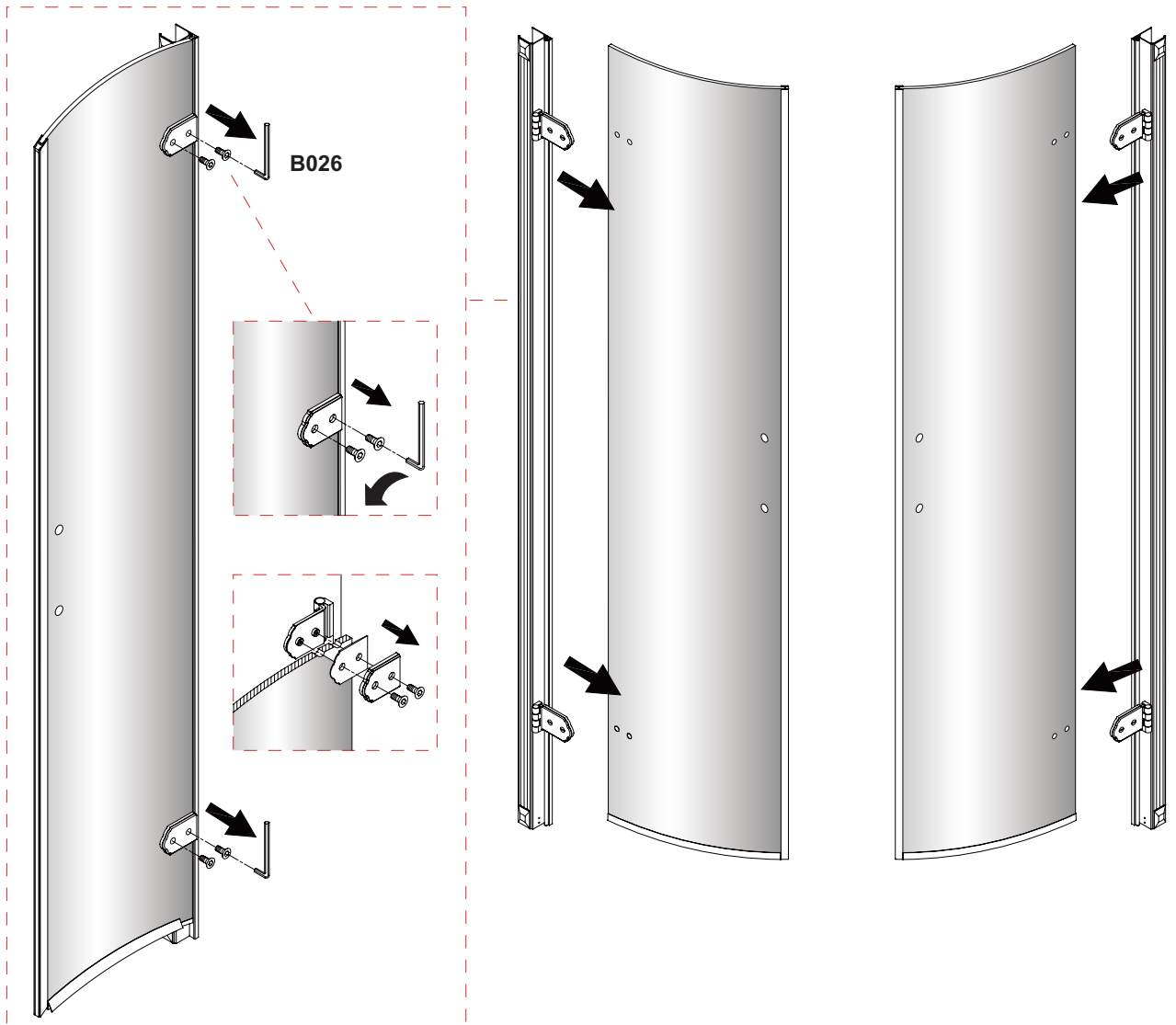
# ②



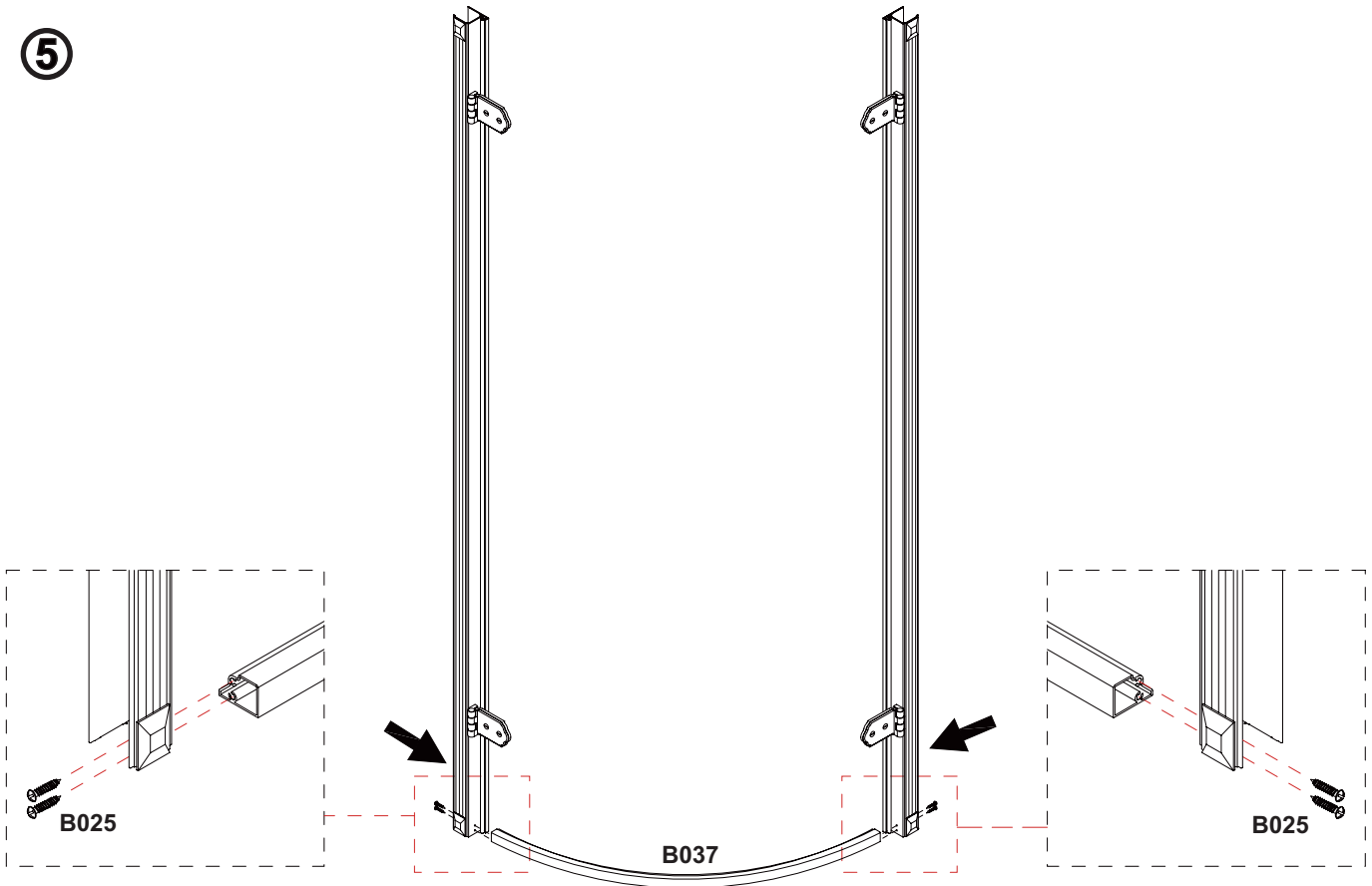
3



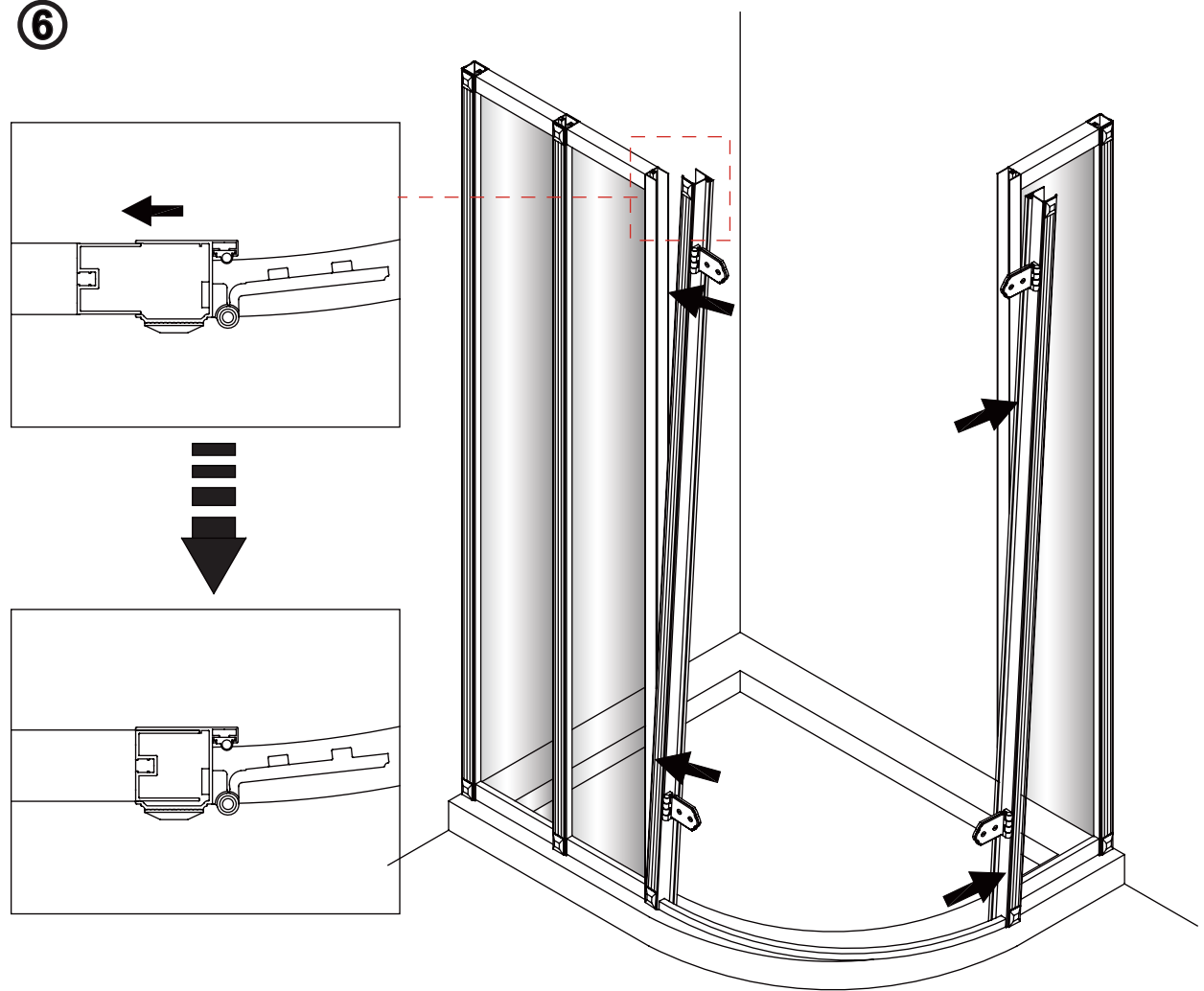
4



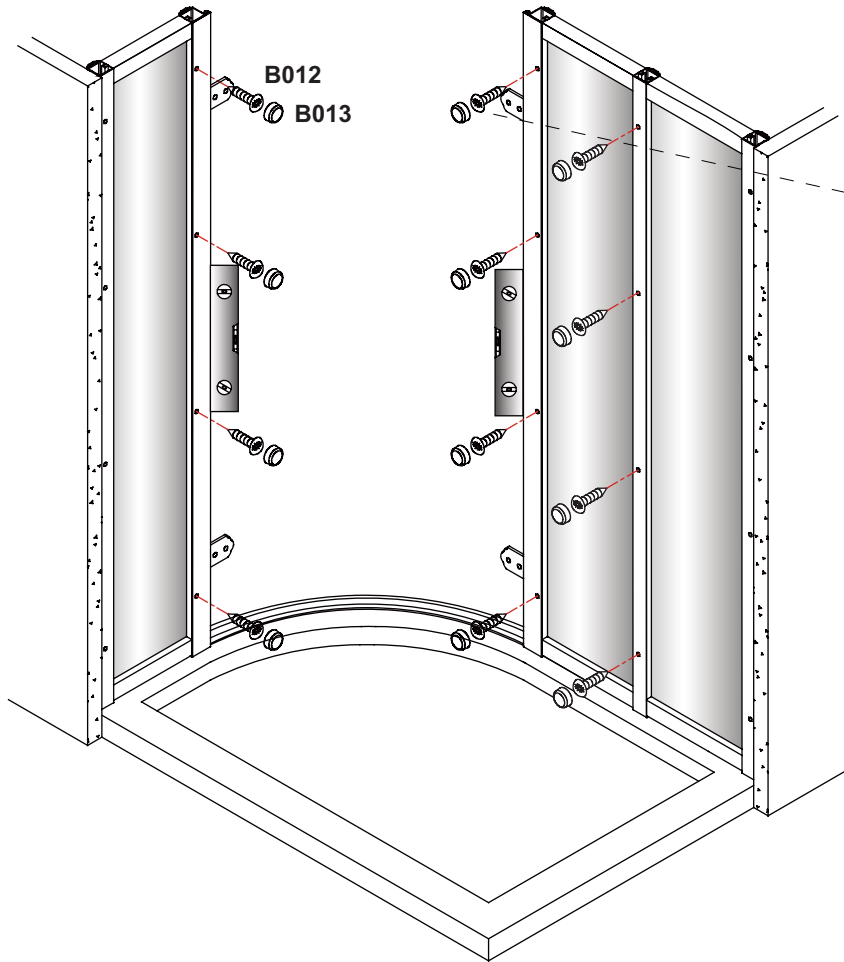
5



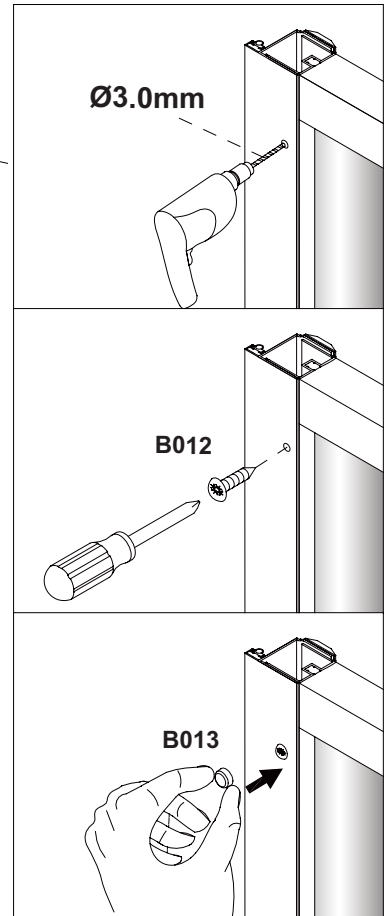
6



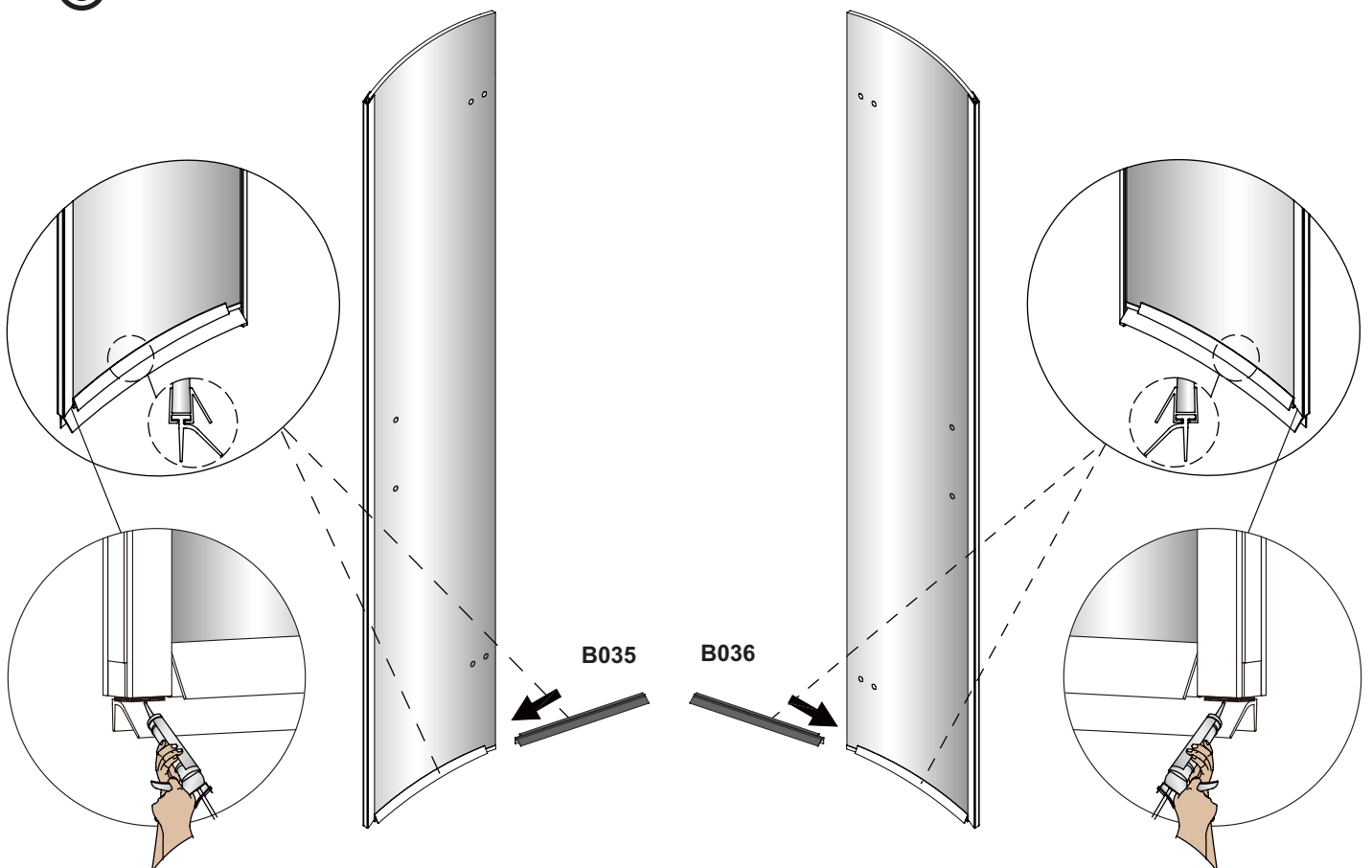
7



Fully push the door frame into the inline panels. Then check for vertical. From inside drill 4 holes through the door frame (in the marked positions). Fix using screws(B012), attach on the caps (B013). Any adjustment should be made from the wall profiles.

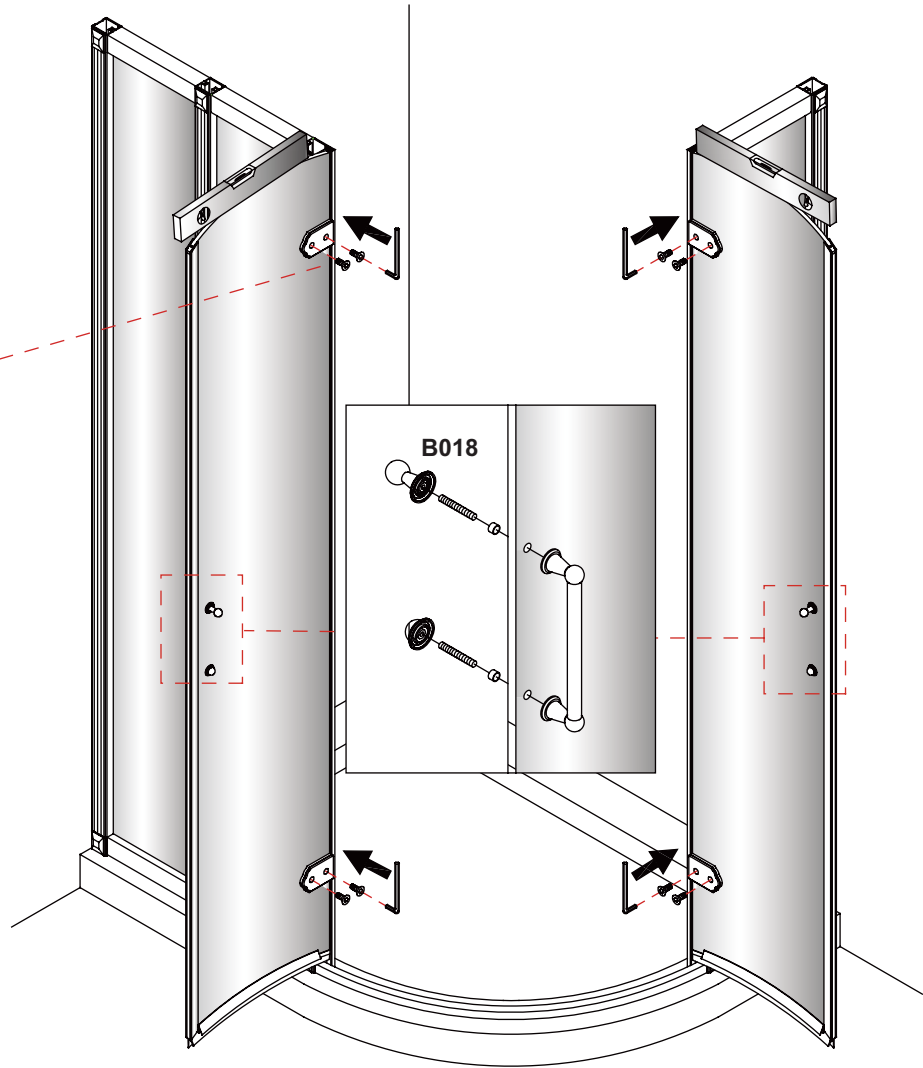
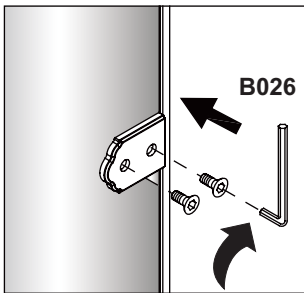
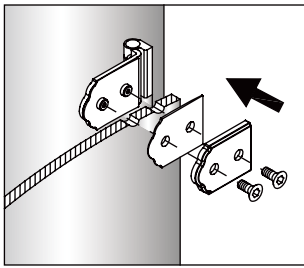


8

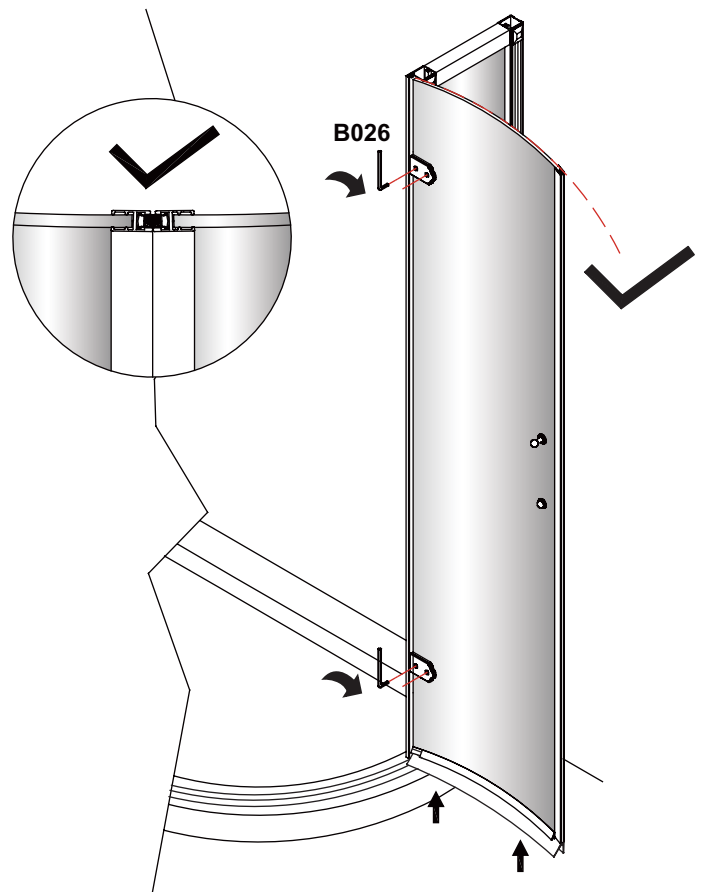
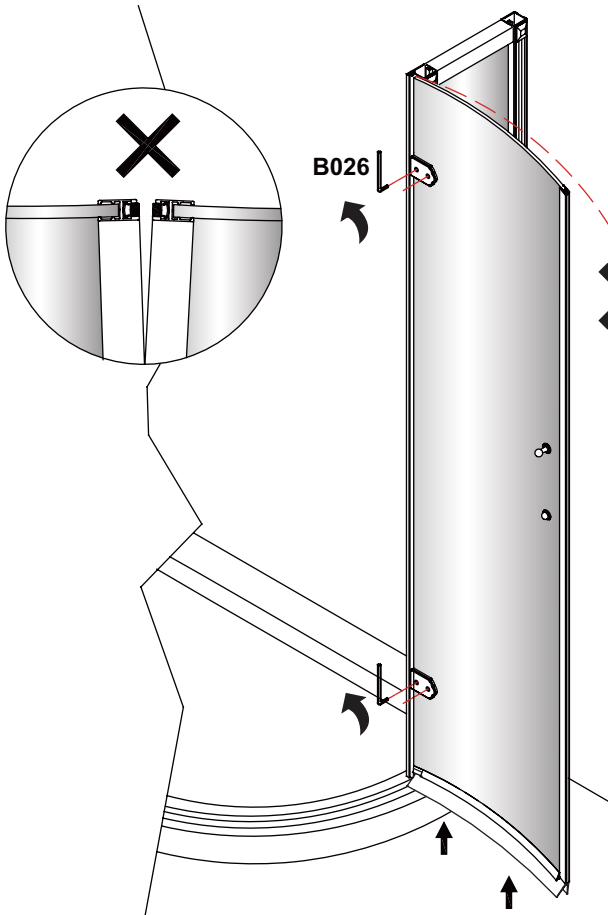




9

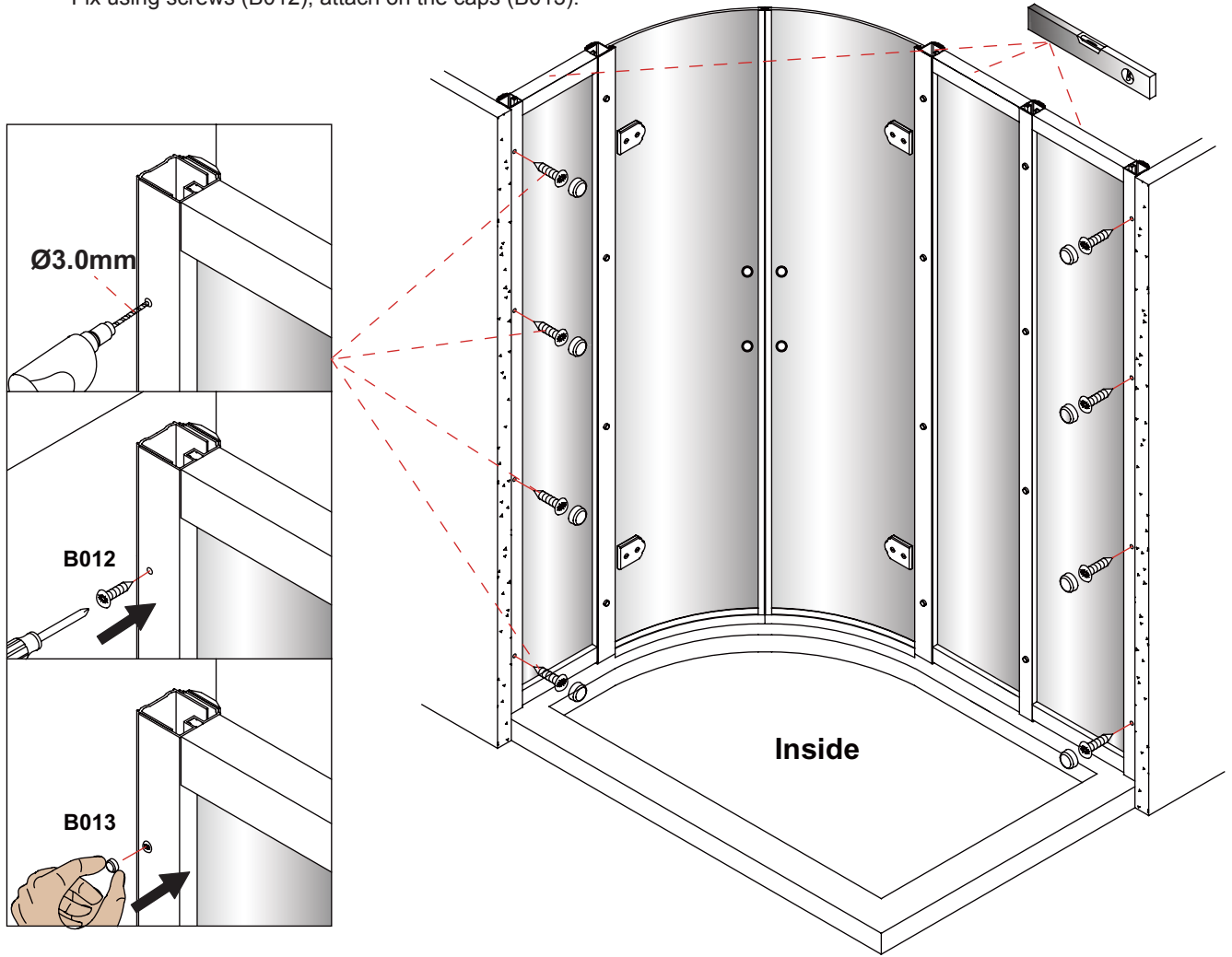


Only if adjustment is required.

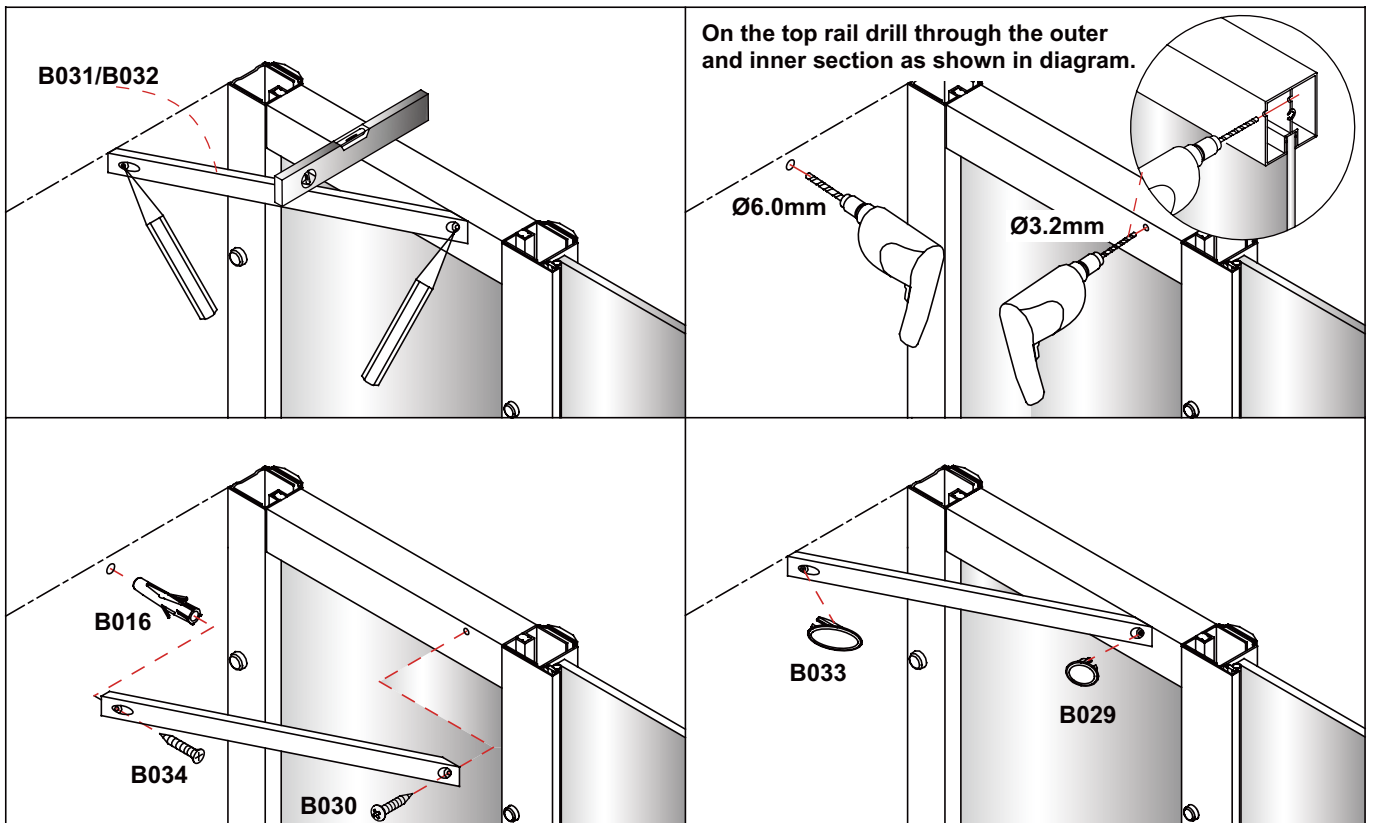


10

Once you have checked that the door opens and closes correctly fix the door to the wall channels. From inside drill 4 holes through the door frame (in the marked positions). Fix using screws (B012), attach on the caps (B013).



11



12

